

5

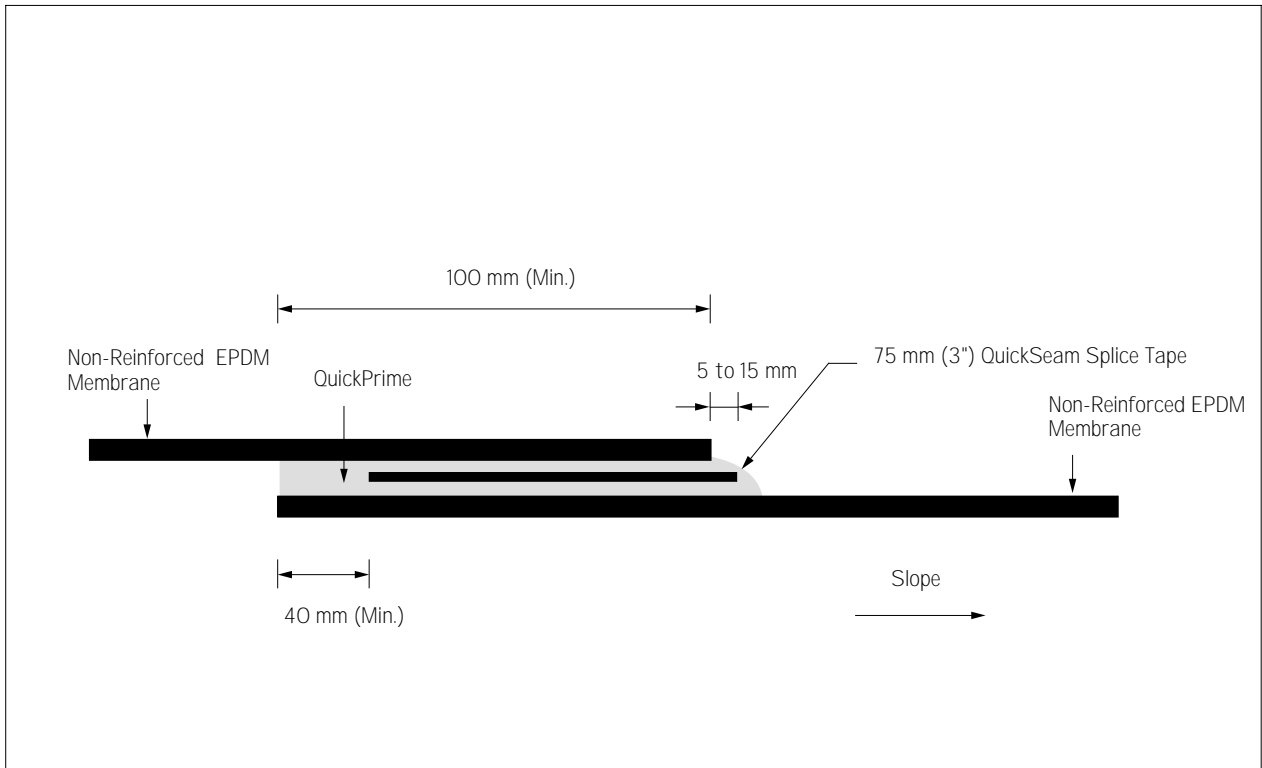
INSTALLATION DETAILS

5.1 LAP SPLICES	p 143
5.2 ROOF EDGES	p 149
5.3 BASE TIE-INS	p 155
5.4 TERMINATIONS	p 163
5.5 EXPANSION JOINTS	p 171
5.6 PENETRATIONS	p 177
5.7 DRAINS	p 183
5.8 MISCELLANEOUS	p 187
5.9 CORNERS	p 191

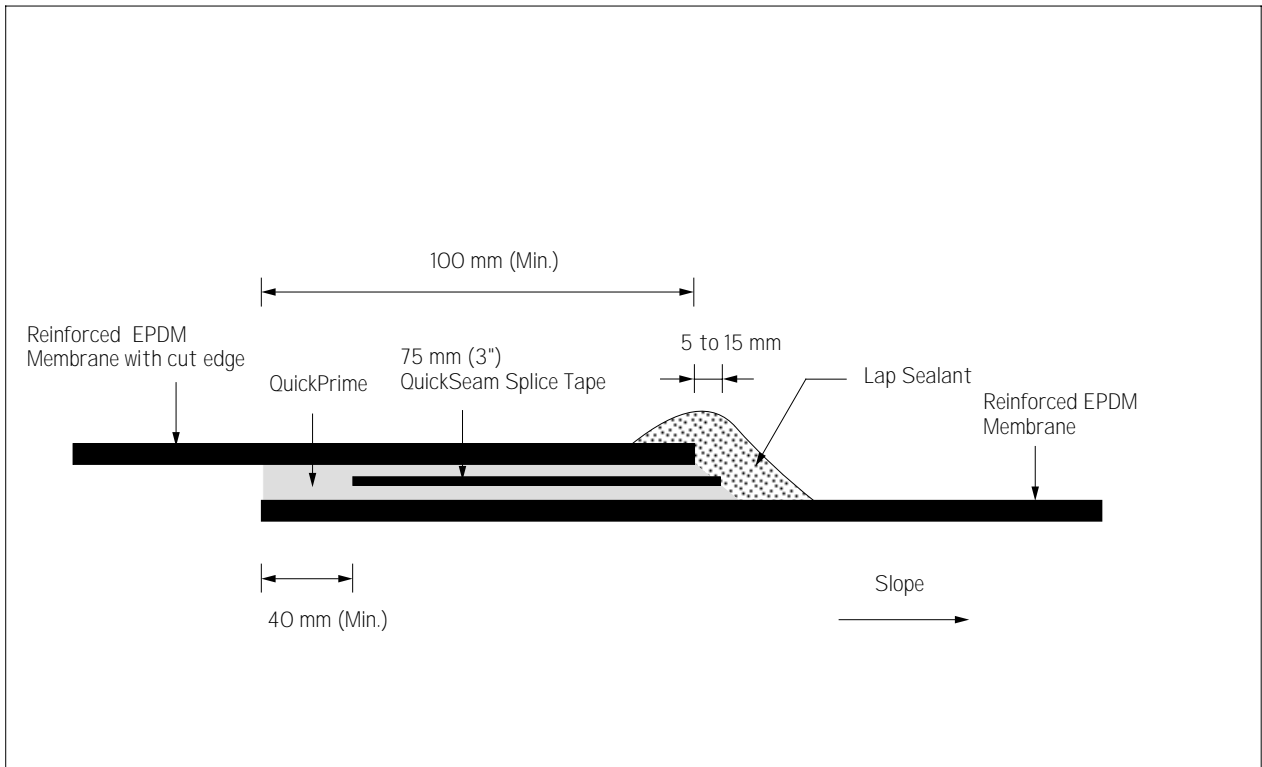


5.1 LAP SPLICES

DETAIL No.	EPDM - DETAIL	SYSTEMS
E-LS-1	Standard Seam Using 3 inch (75 mm) Tape	Ballast, Adhered, MAS, Inverted
E-LS-2	Standard Seam Using 75 mm (3 inch) Tape	Reinforced
E-LS-3	Seams Using Splice Adhesive	All
E-LS-4	Seam With Batten Bar Using 180 mm (7 inch) Tape	BIS
E-LS-5	Seam With Batten Bar Using 180 mm (7 inch) Tape	Reinforced
E-LS-6	Seam With Batten Bar Using Splice Adhesive	BIS, Reinforced
E-LS-7	QuickSeam Batten Cover	MAS
E-LS-8	QuickSeam Batten Cover	Reinforced

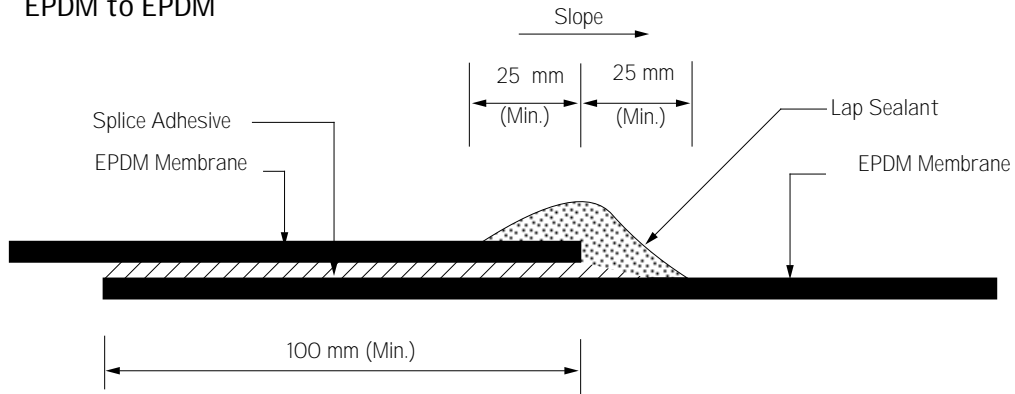


Firestone BUILDING PRODUCTS EUROPE	EPDM - DETAIL Standard Seam Using 75 mm (3") Tape	No. : E - LS - 1	Systems All
		10 / 1995	

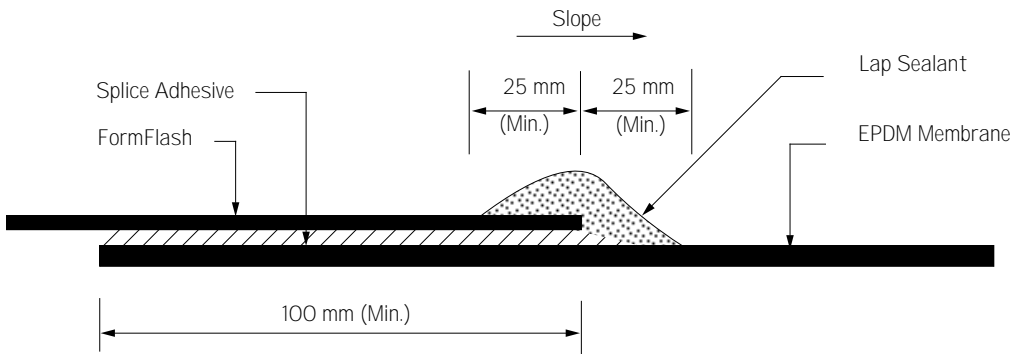


Firestone BUILDING PRODUCTS EUROPE	EPDM - DETAIL Standard Seam Using 75 mm (3") Tape	No. : E - LS - 2	Systems Reinforced
		12 / 1996	

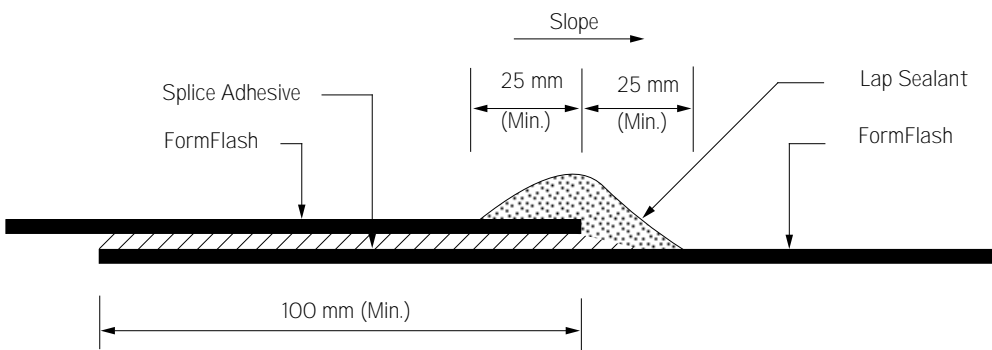
EPDM to EPDM



FORMFLASH to EPDM



FORMFLASH to FORMFLASH

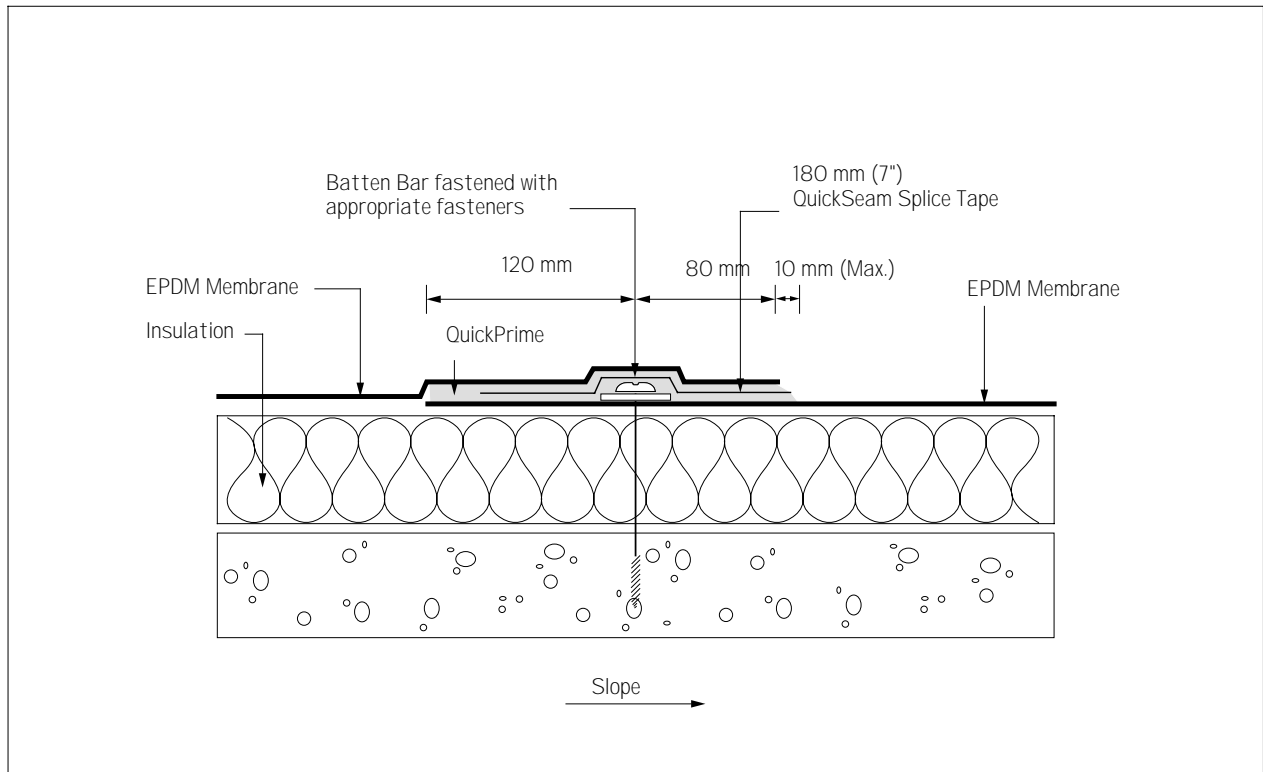


Firestone
BUILDING PRODUCTS EUROPE

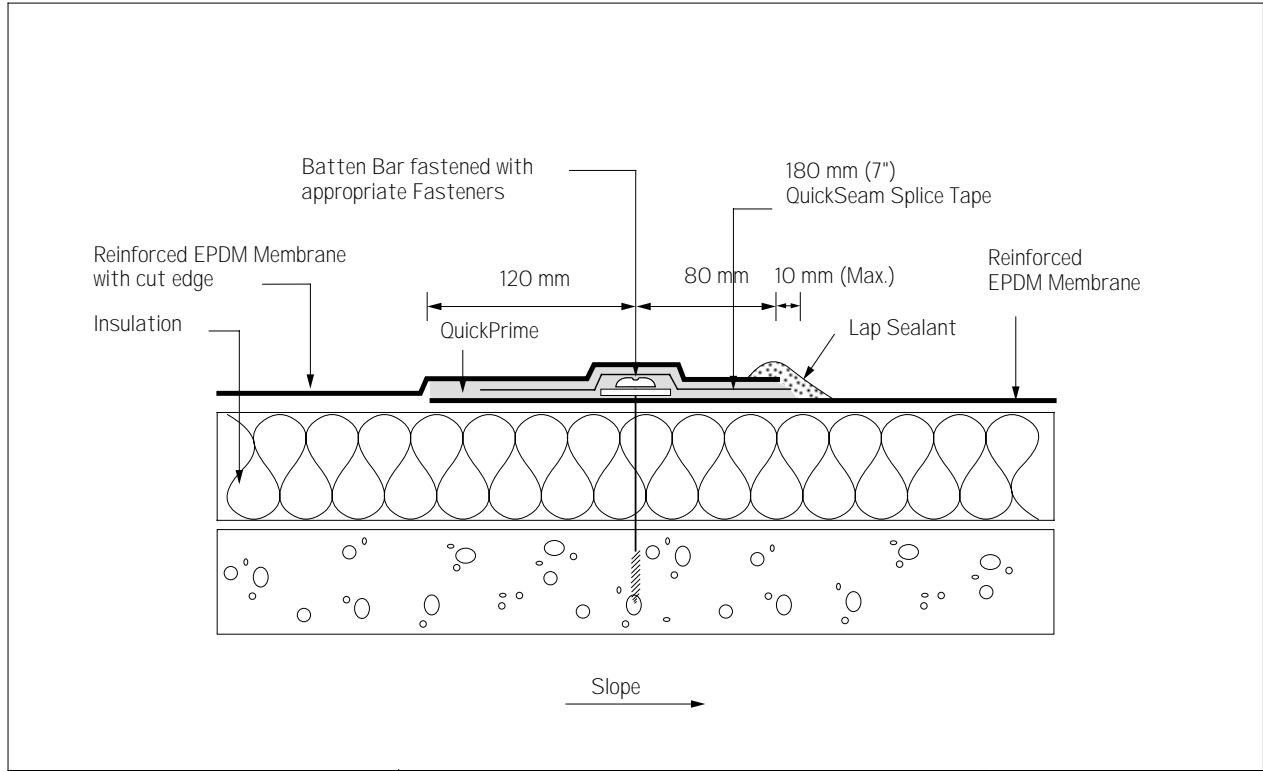
EPDM - DETAIL
Seams Using Splice Adhesive

No. : E - LS - 3
10 / 1995

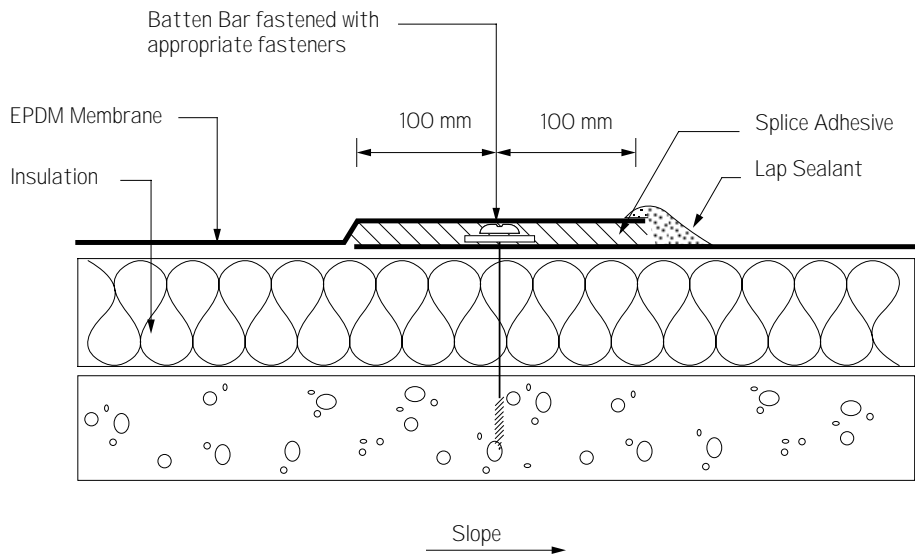
Systems
All



Firestone BUILDING PRODUCTS EUROPE	EPDM - DETAIL Seam with Batten Bar Using 180 mm (7") Tape	No. : E - LS - 4	Systems Batten-In-the-Seam Reinforced
		10 / 1995	



Firestone BUILDING PRODUCTS EUROPE	EPDM - DETAIL Seam with Batten Bar Using 180 mm (7") Tape	No. : E - LS - 5	Systems Reinforced
		12 / 1996	

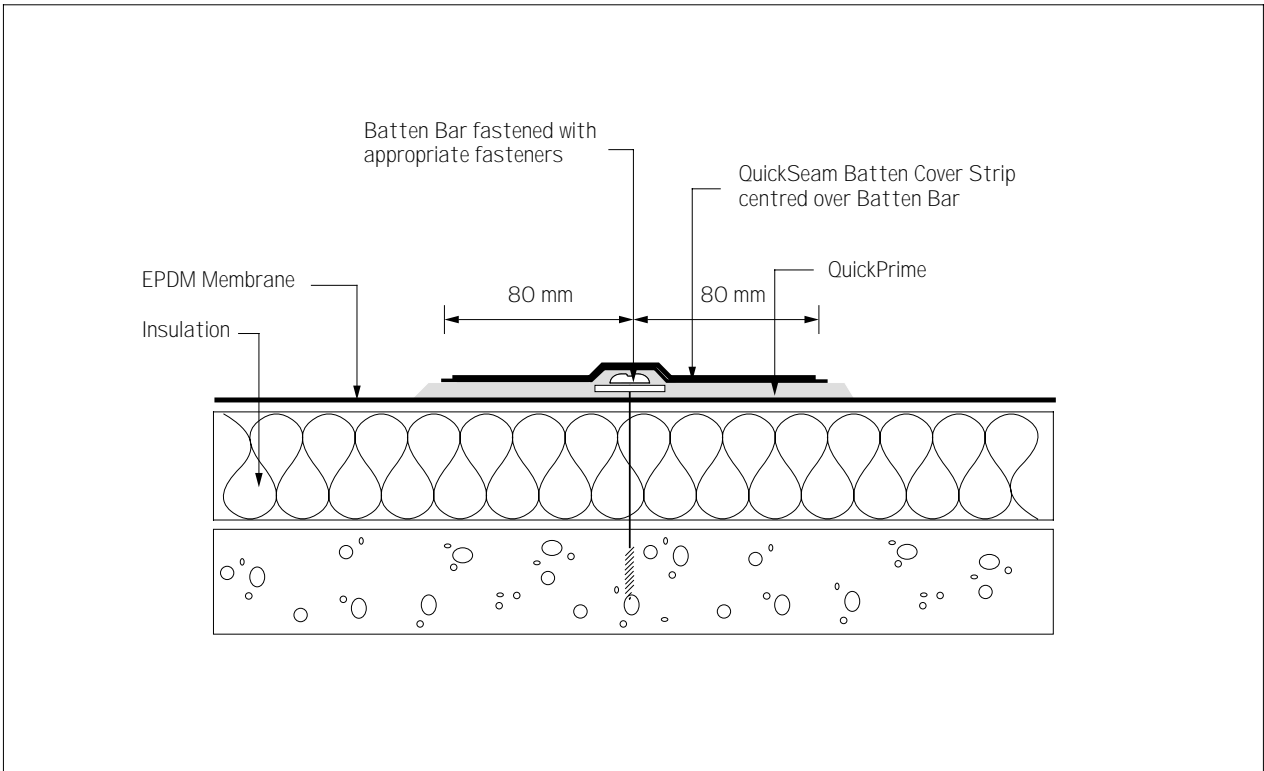


Firestone
BUILDING PRODUCTS EUROPE

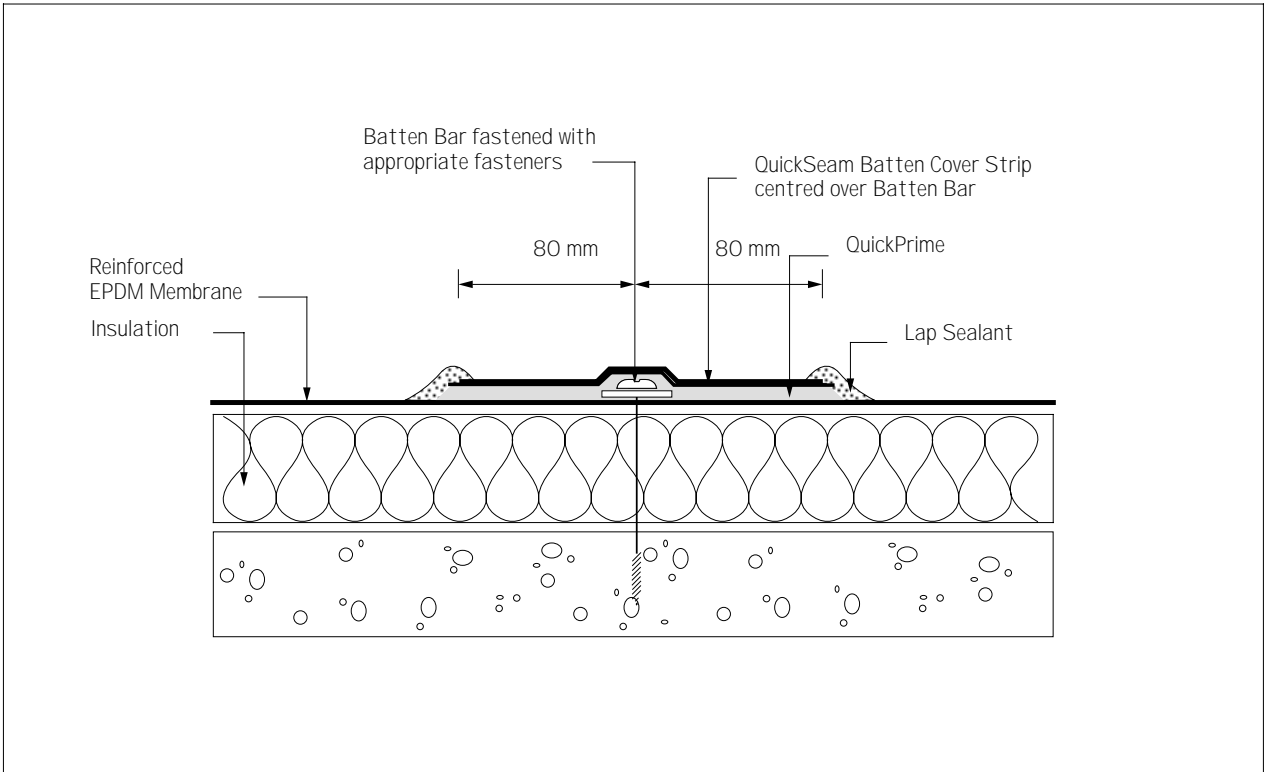
EPDM - DETAIL
Seam With Batten Bar
Using Splice Adhesive

No. : E - LS - 6
10 / 1995

Systems
Batten-In-the-Seam
Reinforced



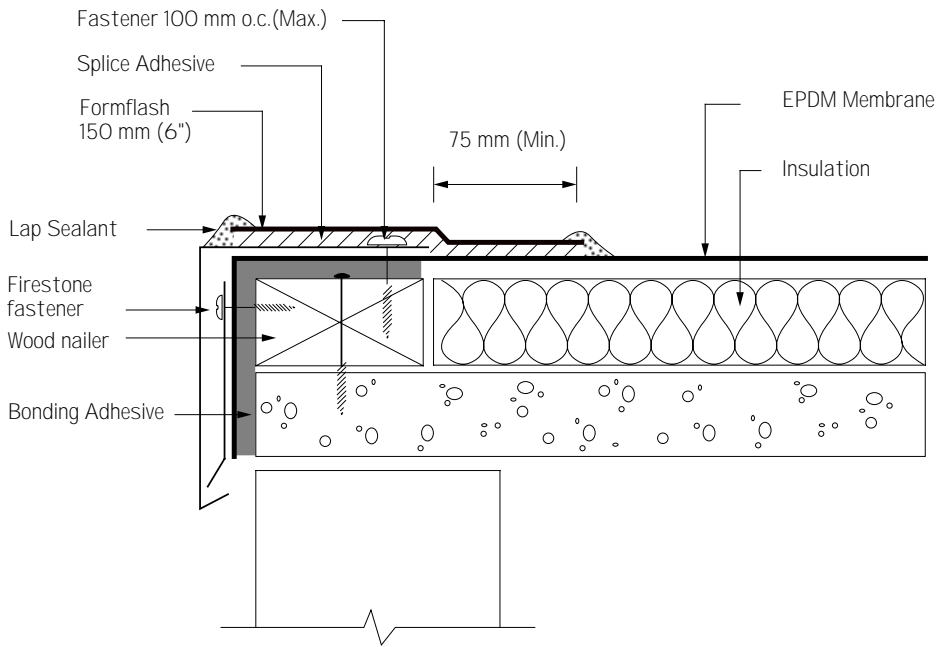
Firestone BUILDING PRODUCTS EUROPE	EPDM - DETAIL QuickSeam Batten Cover	No. : E - LS - 7	Systems Mechanically Anchored Batten-In-the-Seam
		10 / 1995	



Firestone BUILDING PRODUCTS EUROPE	EPDM - DETAIL QuickSeam Batten Cover	No. : E - LS - 8	Systems Reinforced
		10 / 1995	

5.2 ROOF EDGES

DETAIL No.	EPDM - DETAIL	SYSTEMS
E-RE-1	Standard Roof Edge Using Formflash	Adhered, MAS, BIS, Reinforced
E-RE-2	Standard Roof Edge Using QuickSeam Flashing	Adhered, MAS, BIS, Reinforced
E-RE-3	Drain Bar	Ballast, Inverted
E-RE-4	Metal External Gutter Using Formflash	Ballast, Inverted
E-RE-5	Metal external Gutter Using Formflash	Adhered, MAS, BIS, Reinforced
E-RE-6	Metal External Gutter Using QuickSeam Flashing	Adhered, MAS, BIS, Reinforced
E-RE-7	Concrete External Gutter	Adhered, MAS, BIS, Reinforced
E-RE-8	Concrete External Gutter	Ballast, Inverted
E-RE-9	Internal Gutter	All

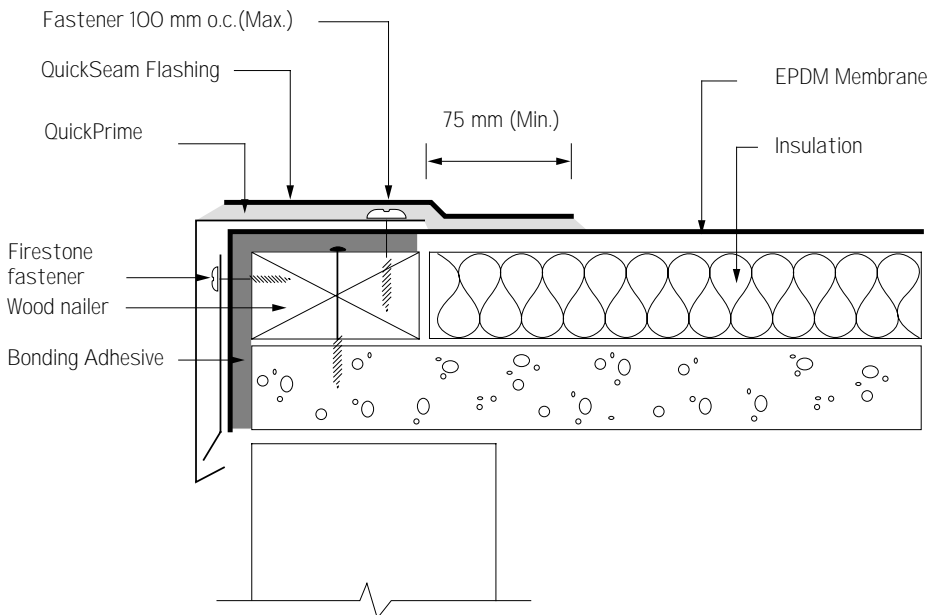


Firestone
BUILDING PRODUCTS EUROPE

EPDM - DETAIL
Standard Roof Edge
Using Formflash

No. : E - RE - 1
12 / 1996

Systems
Adhered, MAS, BIS,
Reinforced

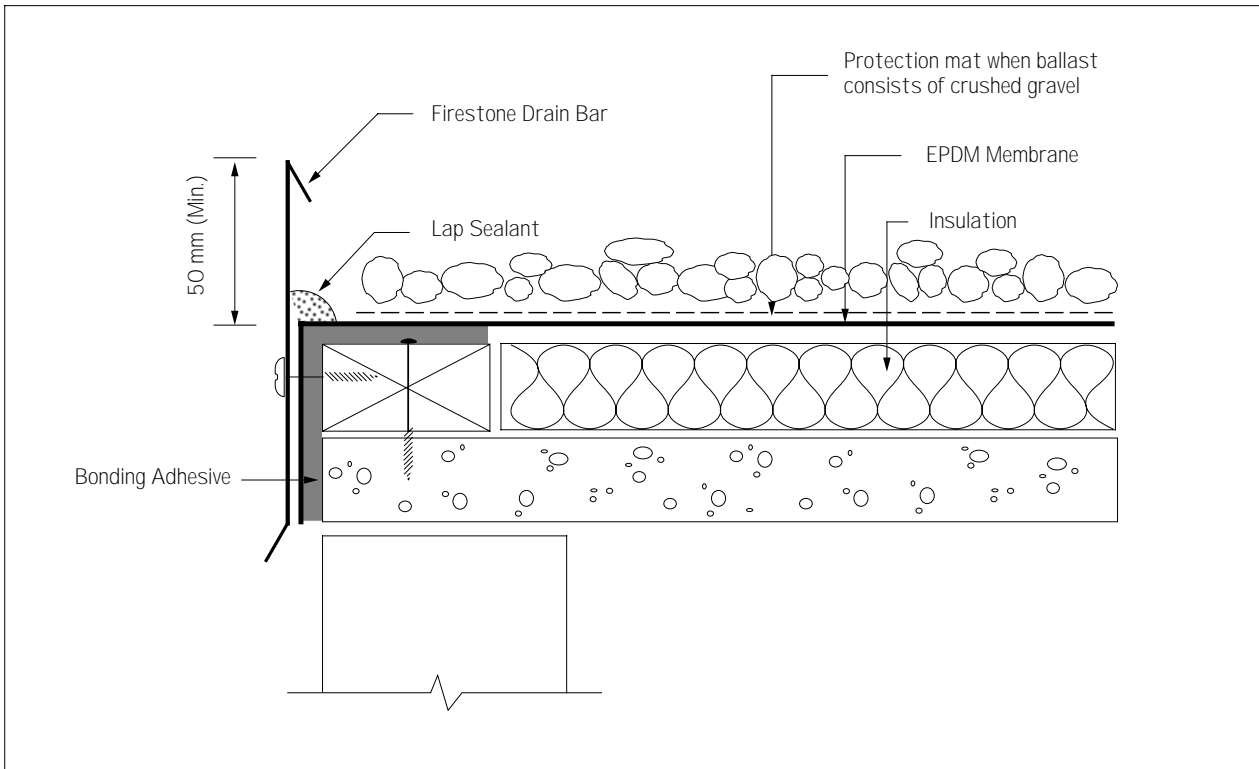


Firestone
BUILDING PRODUCTS EUROPE

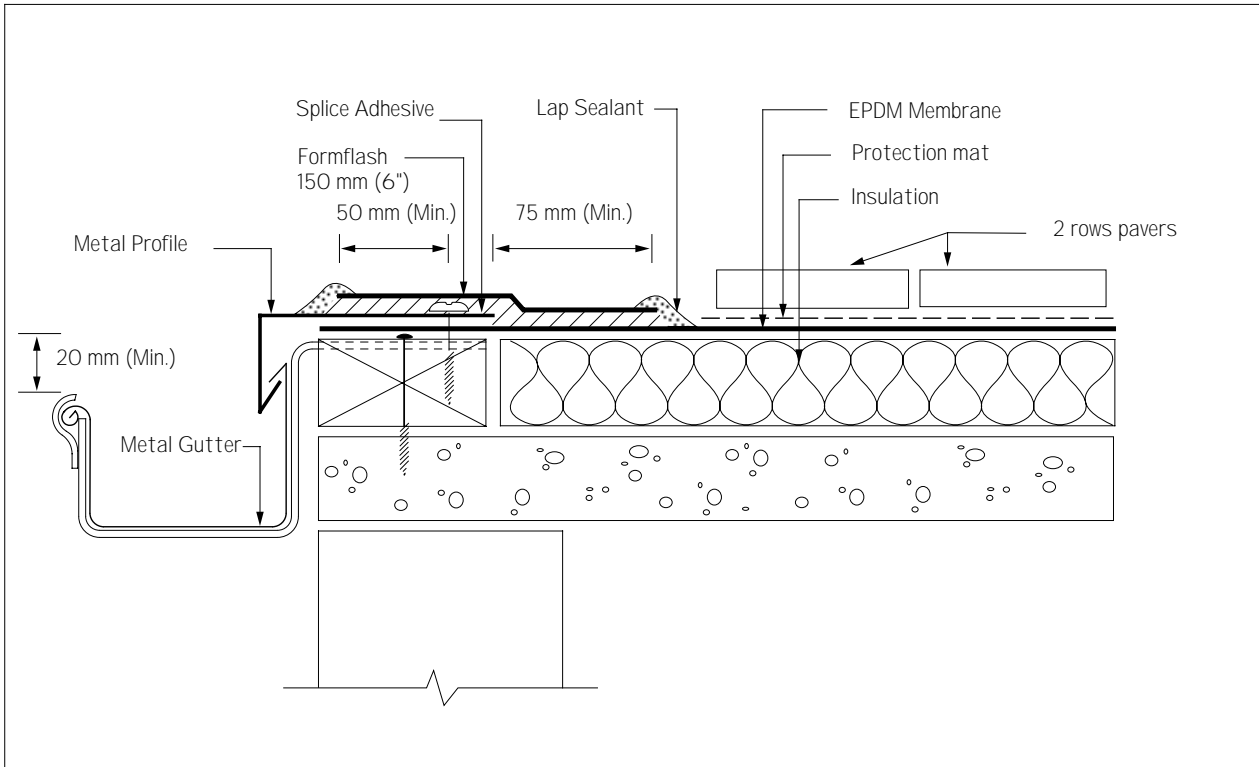
EPDM - DETAIL
Standard Roof Edge
Using QuickSeam Flashing

No. : E - RE - 2
12 / 1996

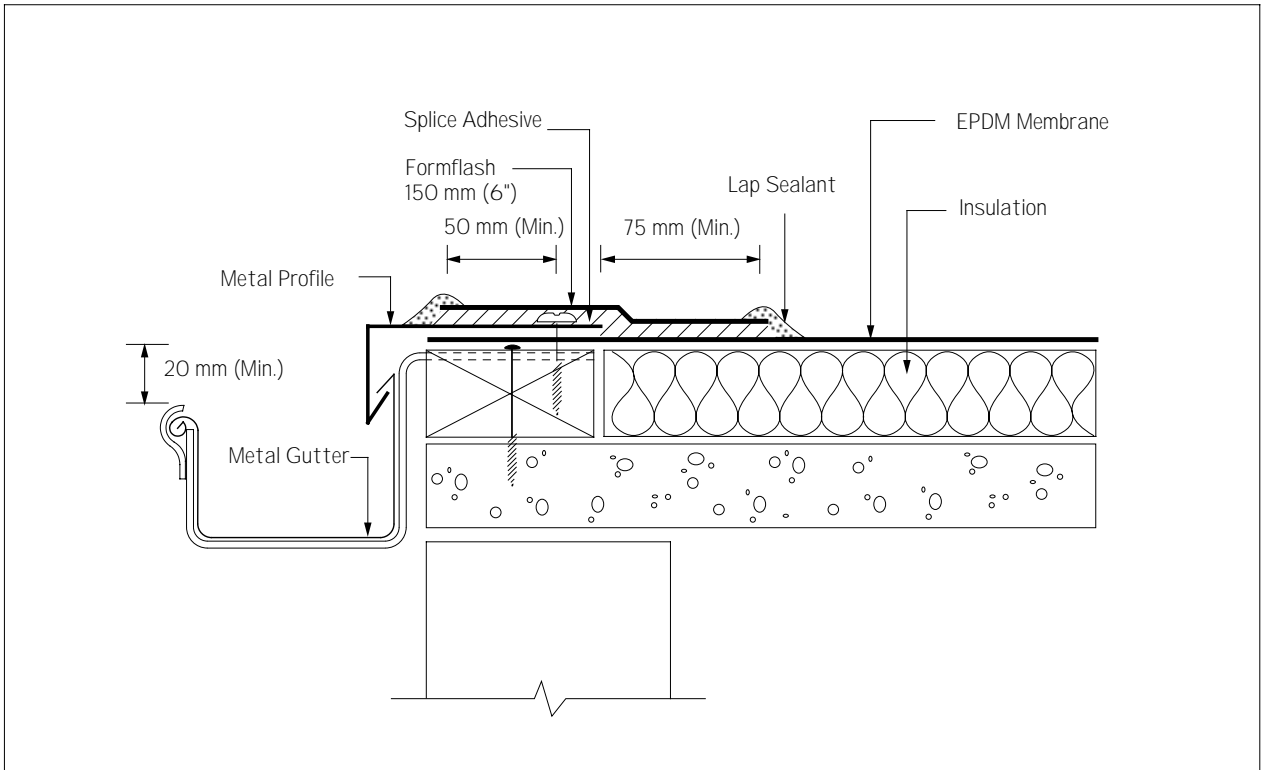
Systems
Adhered, MAS, BIS,
Reinforced



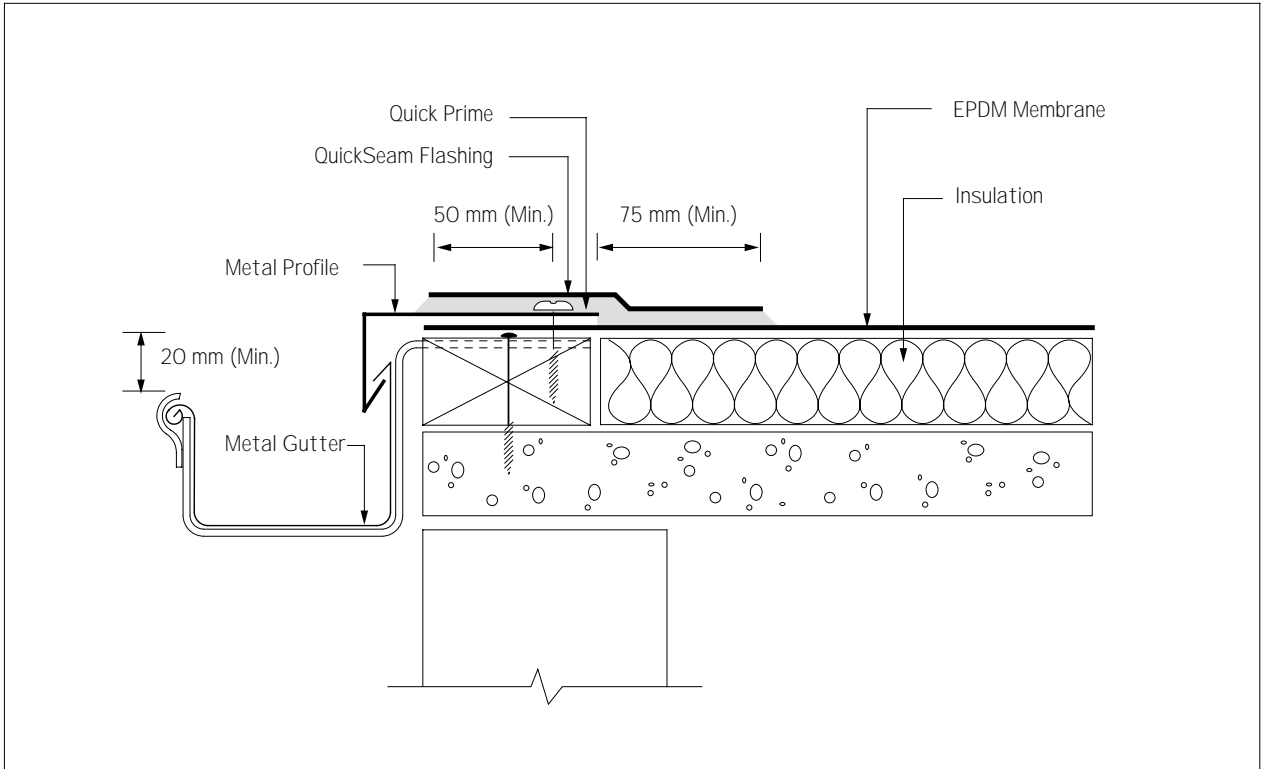
Firestone BUILDING PRODUCTS EUROPE	EPDM - DETAIL Drain Bar	No. : E - RE - 3	Systems Ballasted, Inverted
		10 / 1995	



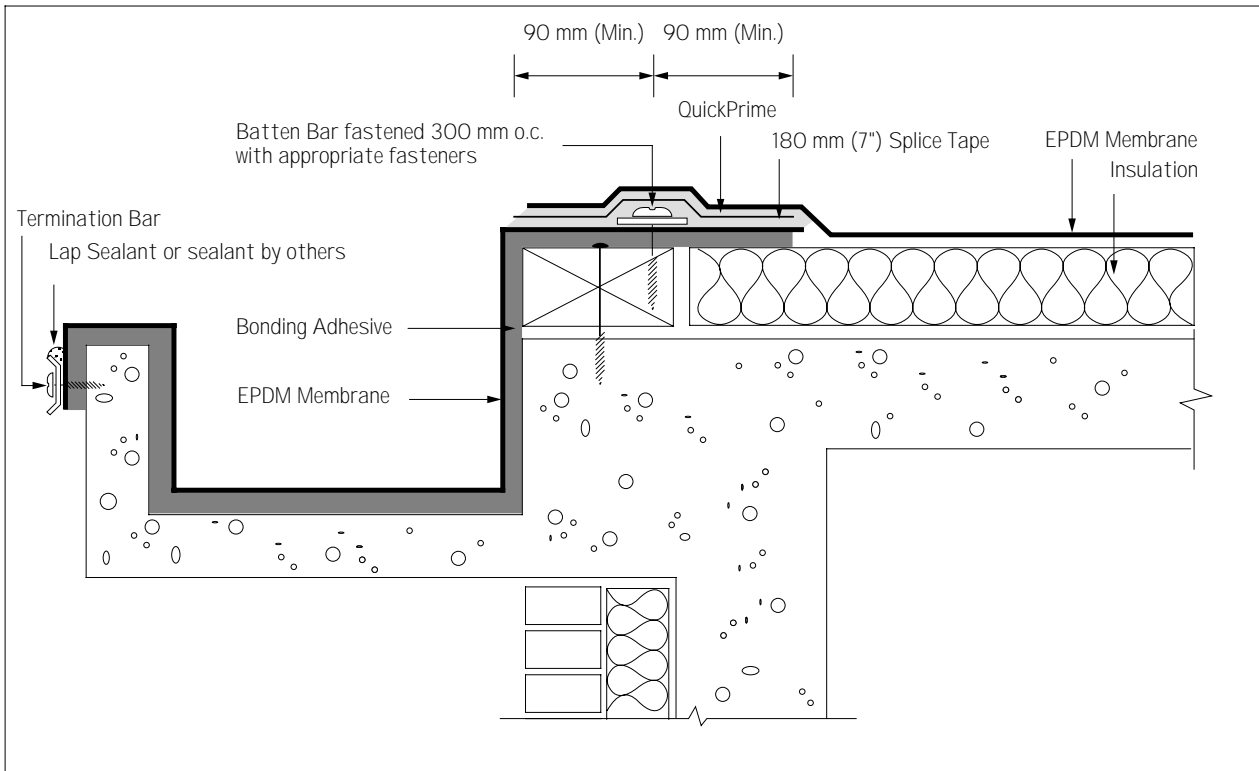
Firestone BUILDING PRODUCTS EUROPE	EPDM - DETAIL Metal External Gutter Using Formflash	No. : E - RE - 4	Systems Ballasted, Inverted
		10 / 1995	



Firestone BUILDING PRODUCTS EUROPE	EPDM - DETAIL Metal External Gutter Using Formflash	No. : E - RE - 5	Systems Adhered, MAS, BIS, Reinforced
		12 / 1996	



Firestone BUILDING PRODUCTS EUROPE	EPDM - DETAIL Metal External Gutter Using QuickSeam Flashing	No. : E - RE - 6	Systems Adhered, MAS, BIS, Reinforced
		12 / 1996	



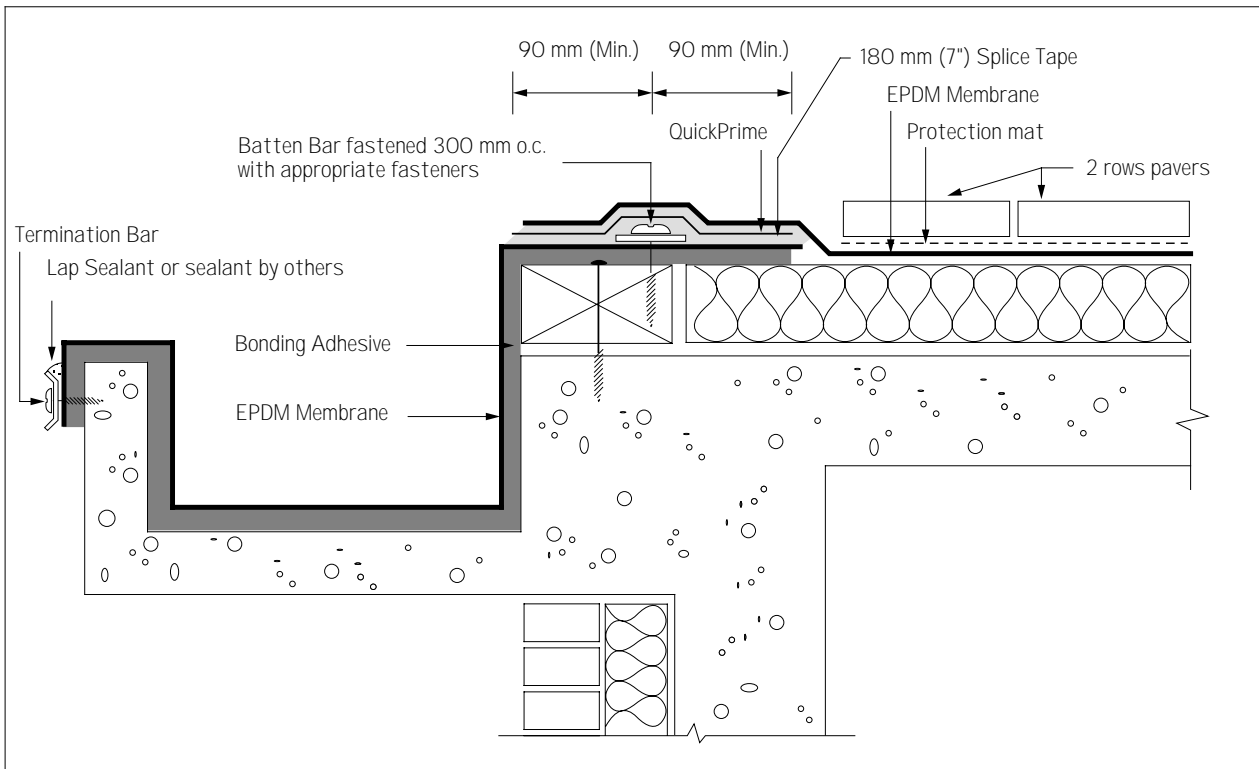
Firestone
BUILDING PRODUCTS EUROPE

EPDM - DETAIL
Concrete External Gutter

No. : E - RE - 7

10 / 1995

Systems
Adhered, MAS, BIS,
Reinforced



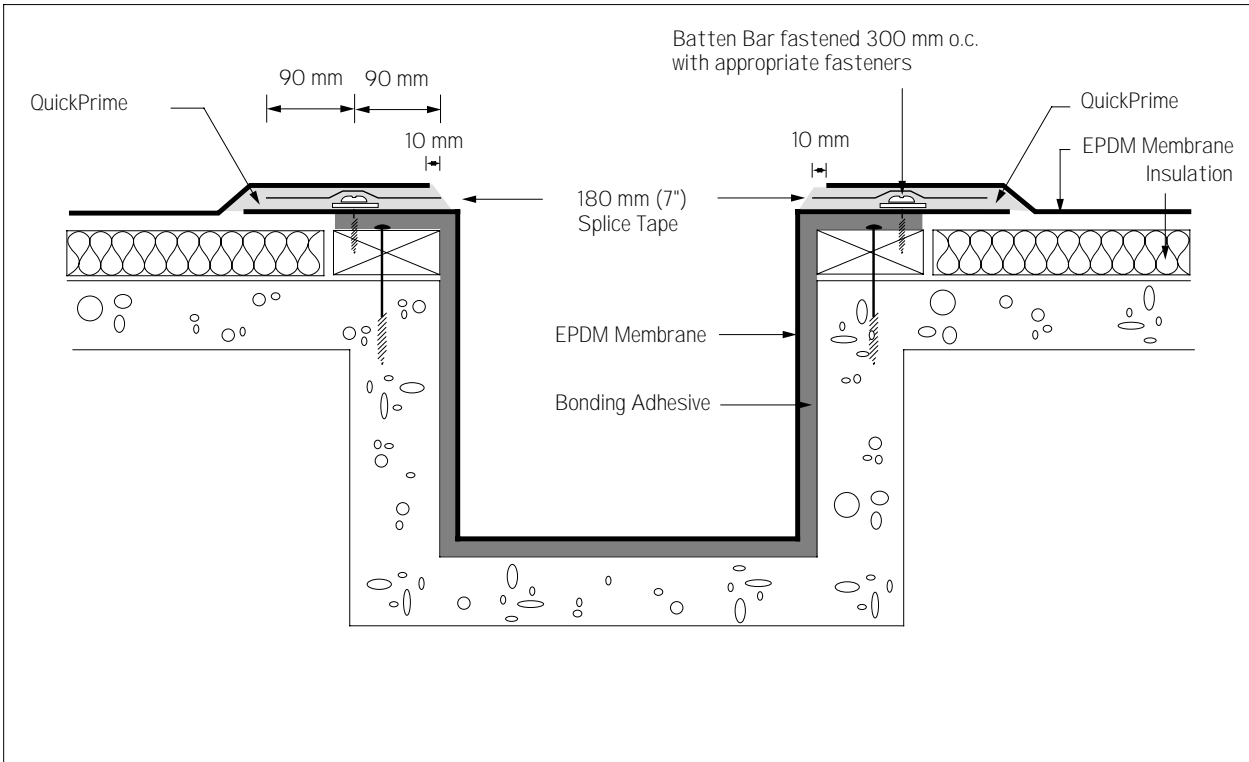
Firestone
BUILDING PRODUCTS EUROPE

EPDM - DETAIL
Concrete External Gutter

No. : E - RE - 8

10 / 1995

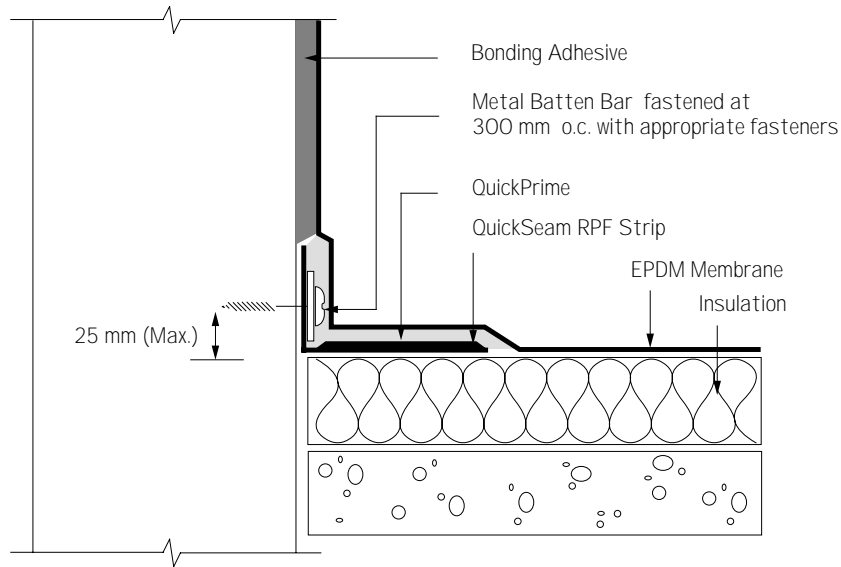
Systems
Ballasted, Inverted



Firestone BUILDING PRODUCTS EUROPE	EPDM - DETAIL Internal Gutter	No. : E - RE - 9	Systems All
		10 / 1995	

5.3 BASE TIE - INS

DETAIL No.	EPDM - DETAIL	SYSTEMS
E-BT-1	Vertical Base Tie-in Using QSRPF Strip	All
E-BT-2	Horizontal Base Tie-In Using QSRPF Strip	All
E-BT-3	Plan View of QSRPF Strip	All
E-BT-4	Alternative Vertical Base Tie-In	All
E-BT-5	Alternative Horizontal Base Tie-In	All
E-BT-6	Base Tie-In at Structural Steel Support	All
E-BT-7	Base Tie-In Under Shingles / Roofing Tiles	All
E-BT-8	Tie-In To Existing Bituminous Roof	All
E-BT-9	Tie-In To Existing EPDM Roof	All
E-BT-10	Tie-In To New Curb / HVAC Unit	All
E-BT-11	Tie-In to Existing Curb / HVAC Unit	All
E-BT-12	Tie-In to New Skylight-Curb	All

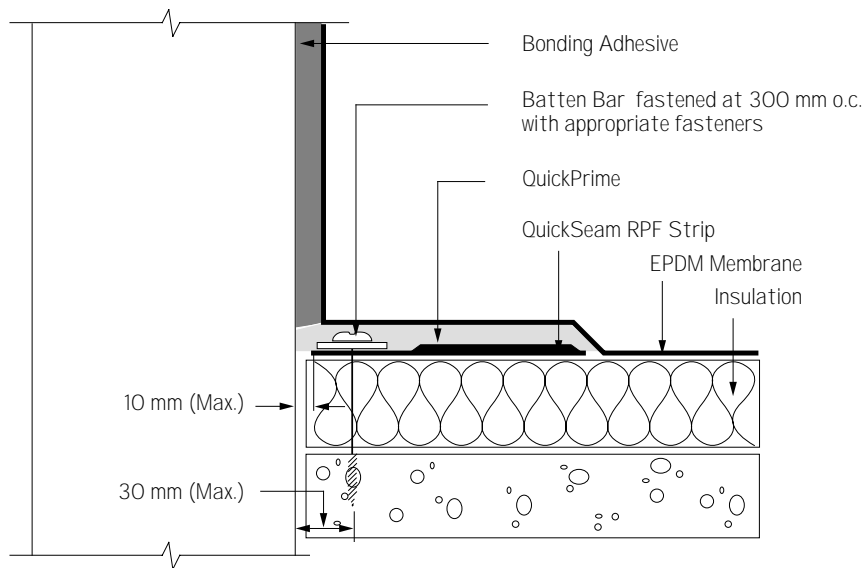


Firestone
BUILDING PRODUCTS EUROPE

EPDM - DETAIL
Vertical Base Tie-in
Using QuickSeam RPF Strip

No. : E - BT - 1
12 / 1996

Systems
All



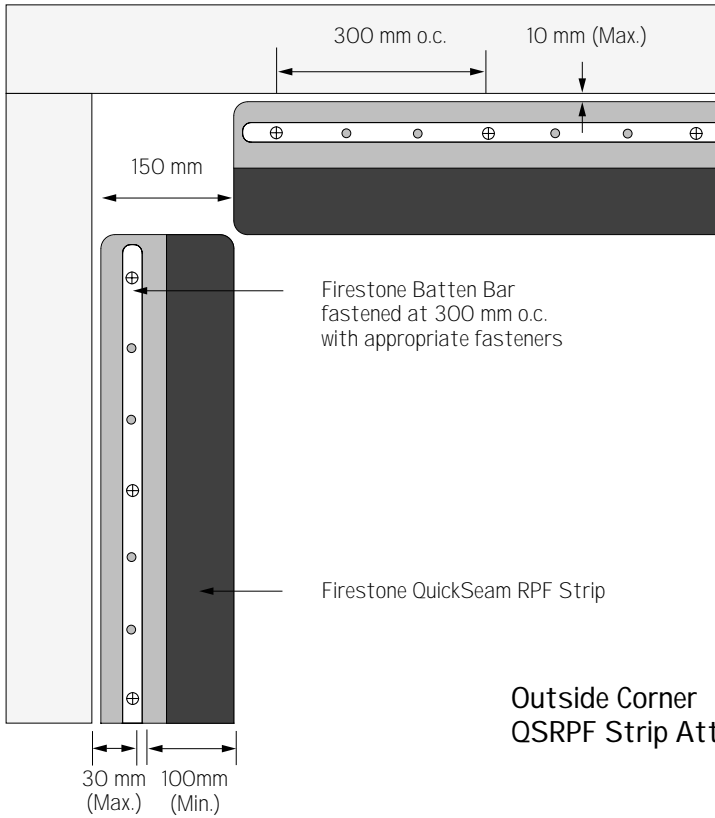
Firestone
BUILDING PRODUCTS EUROPE

EPDM - DETAIL
Horizontal Base Tie-in
Using QuickSeam RPF Strip

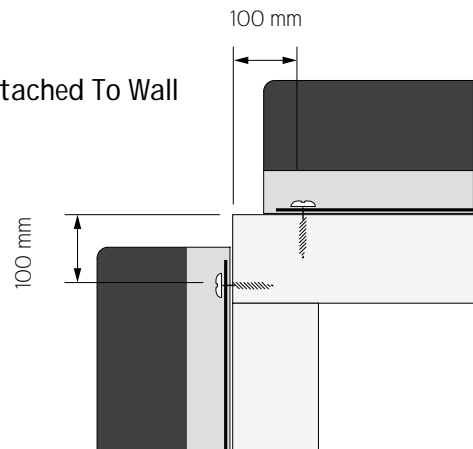
No. : E - BT - 2
12 / 1996

Systems
All

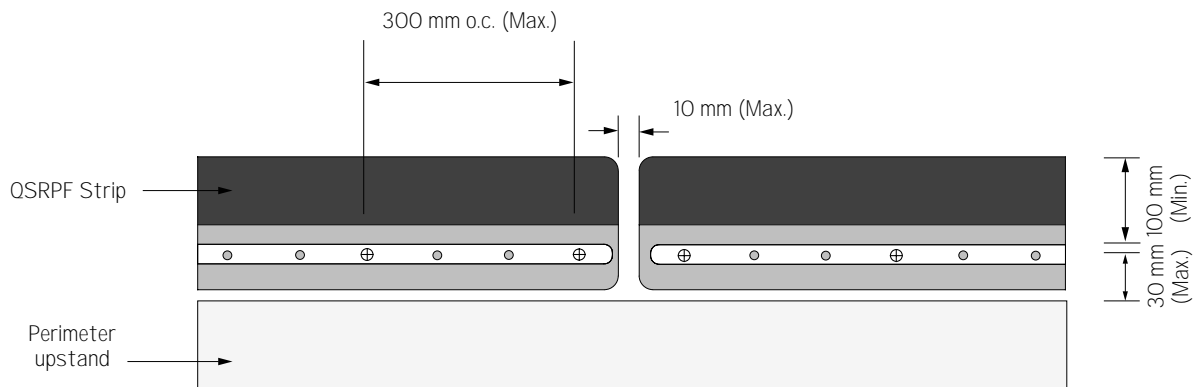
Inside Corner



Outside Corner QSRPF Strip Attached To Wall



Adjoining QuickSeam RPF Strips



Firestone
BUILDING PRODUCTS EUROPE

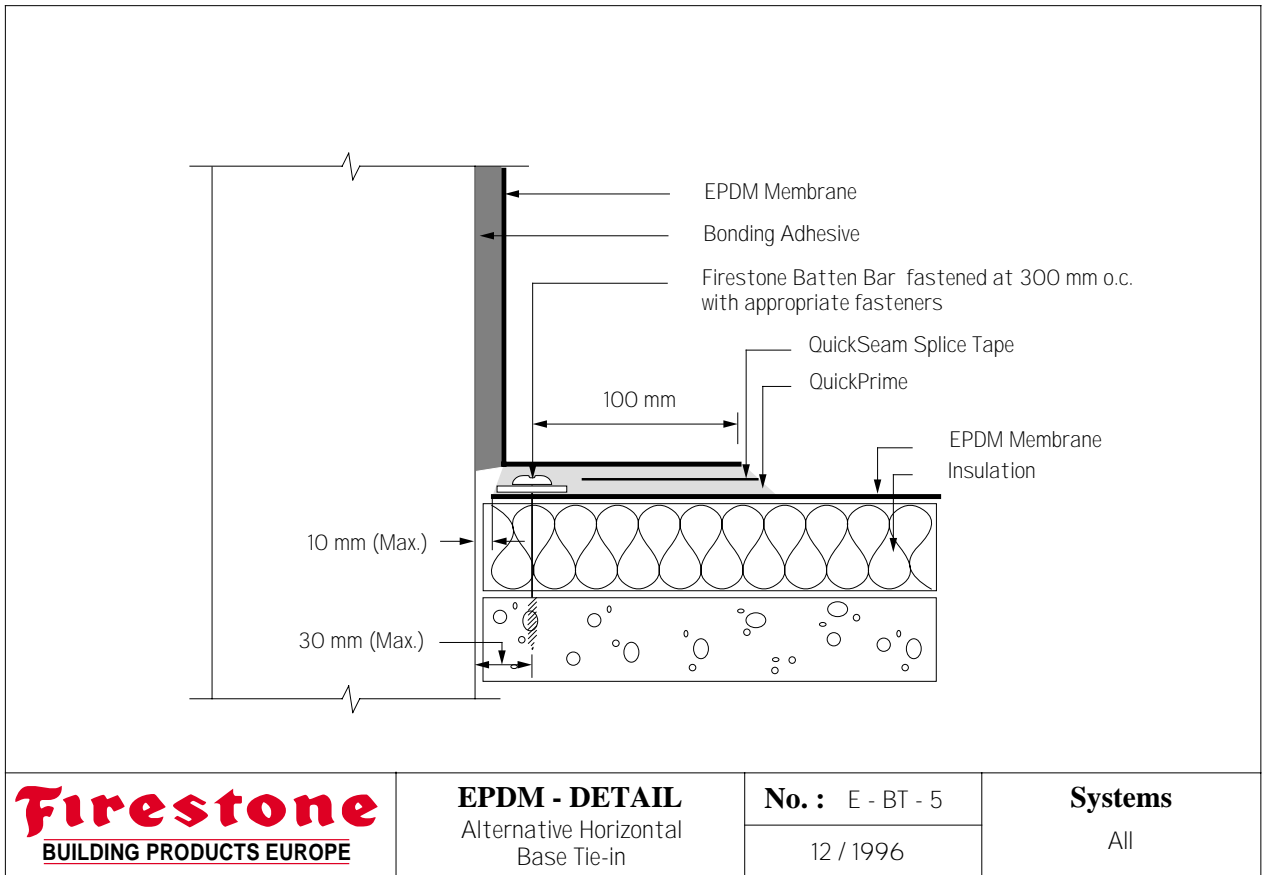
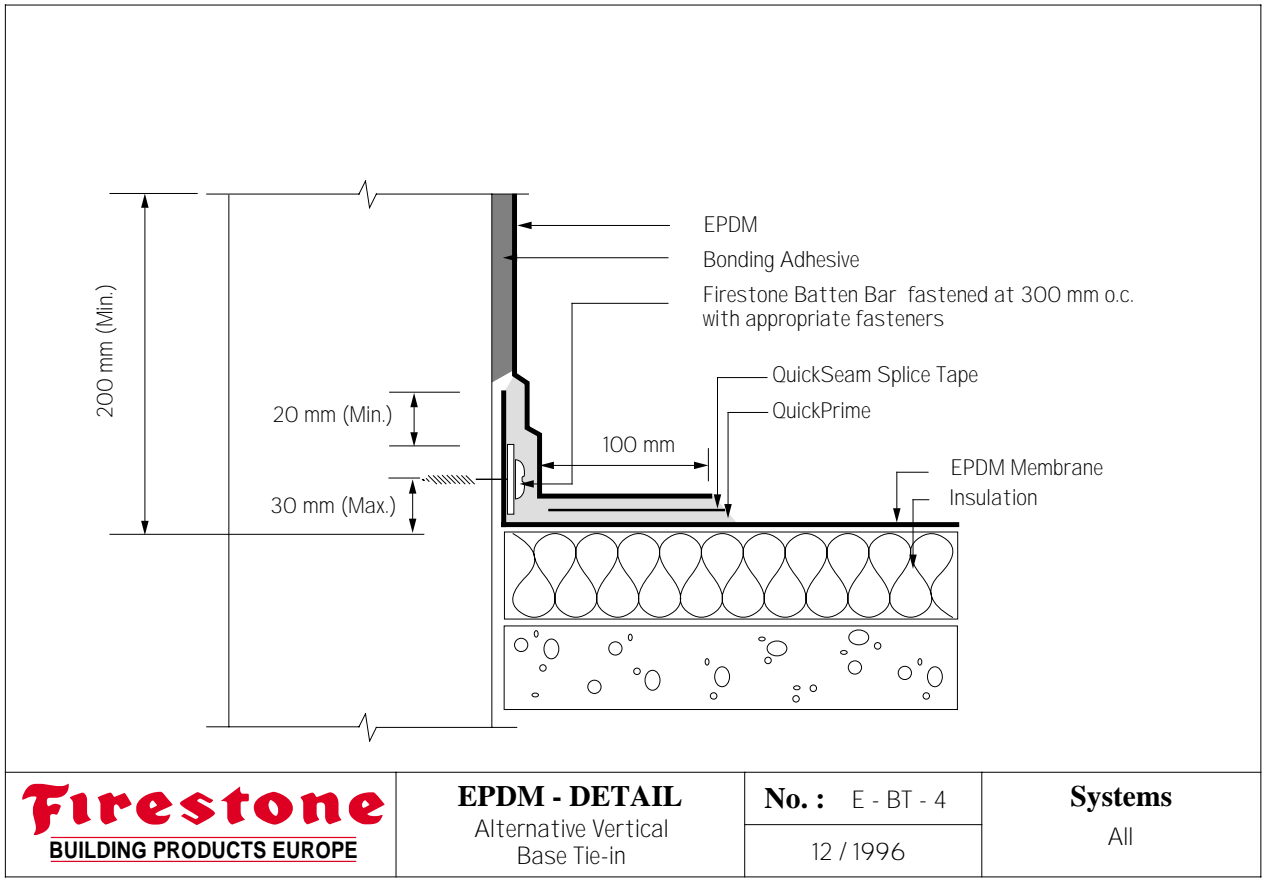
EPDM - DETAIL
Plan View Of
QuickSeam RPF Strip

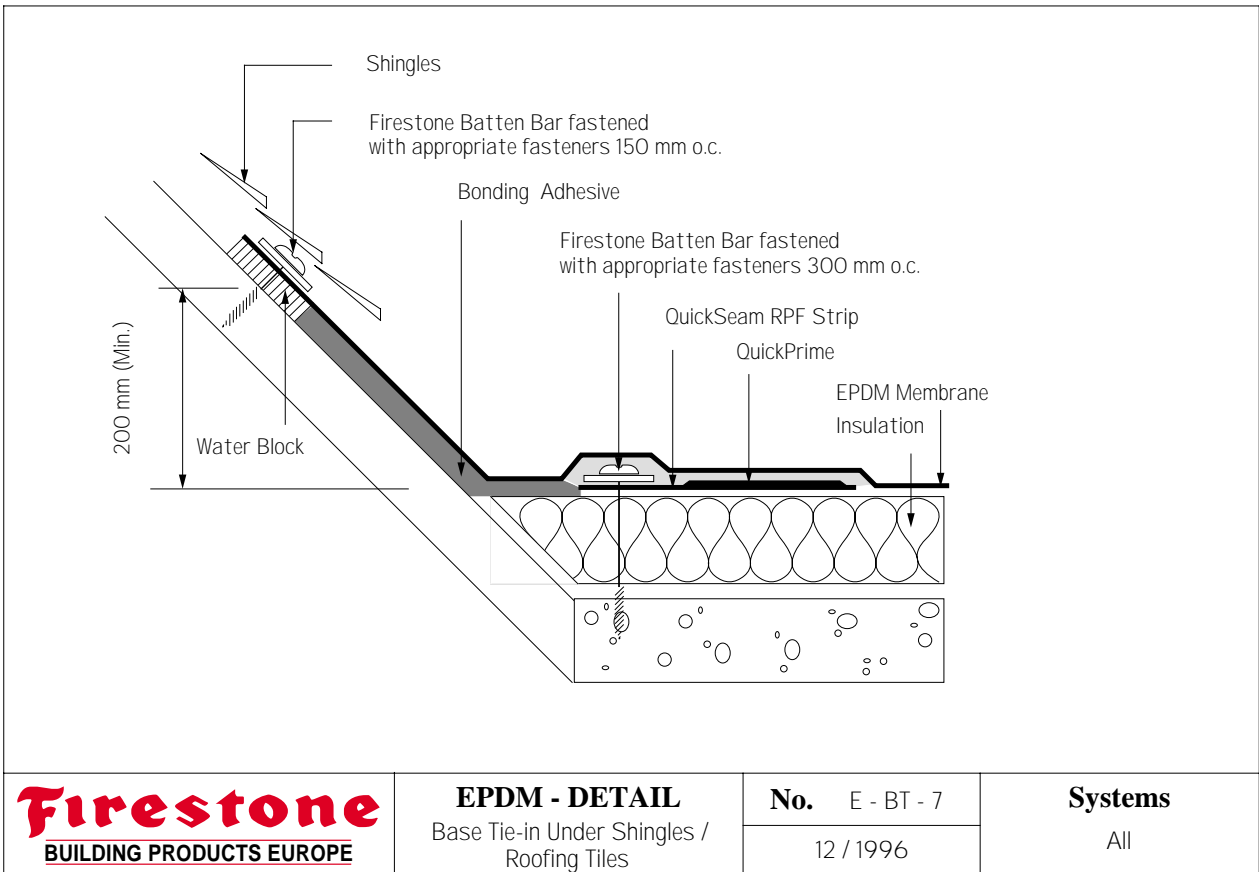
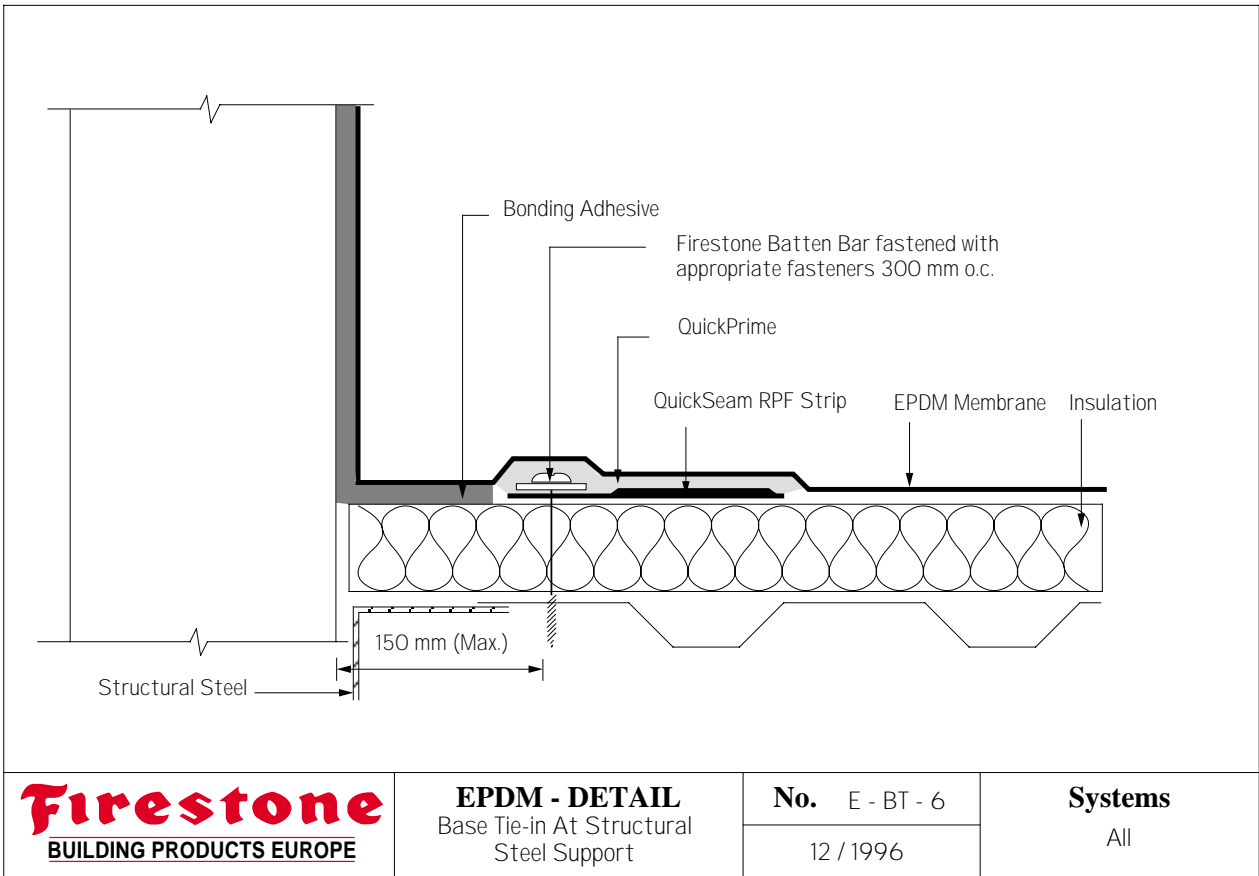
No. : E - BT - 3

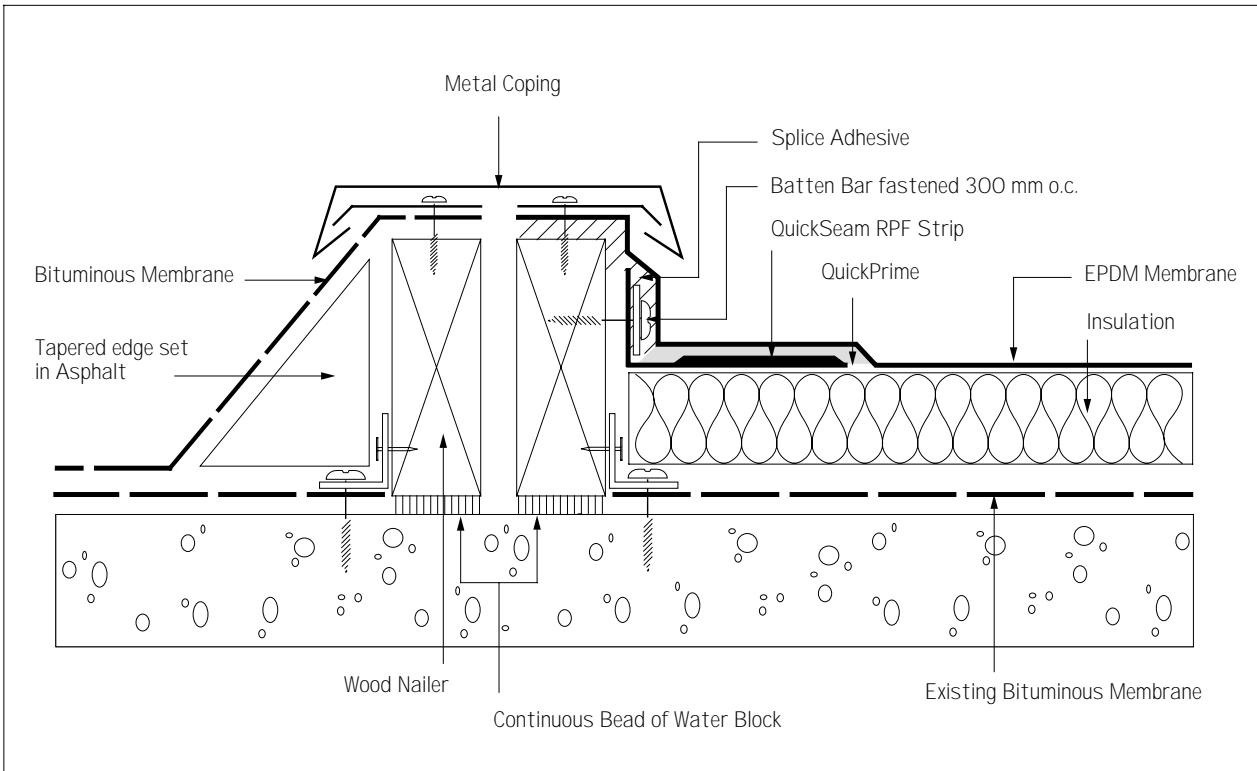
12 / 1996

Systems

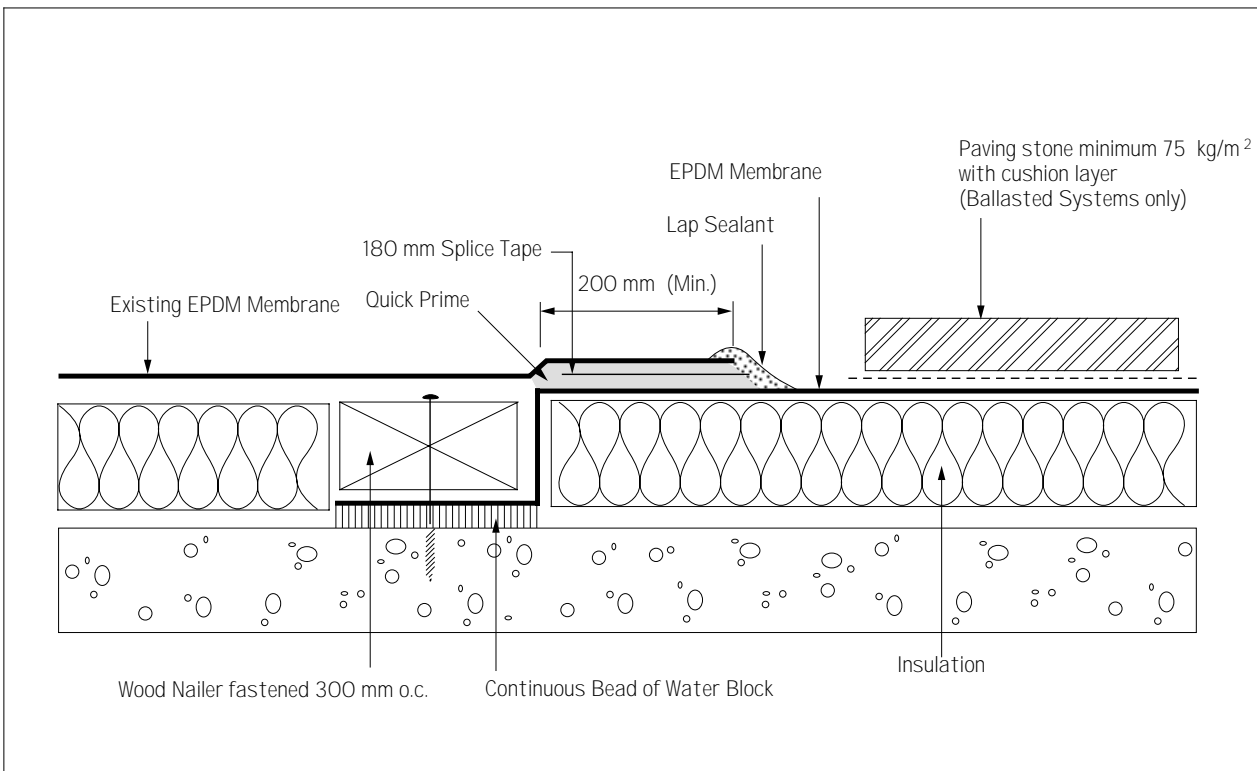
All





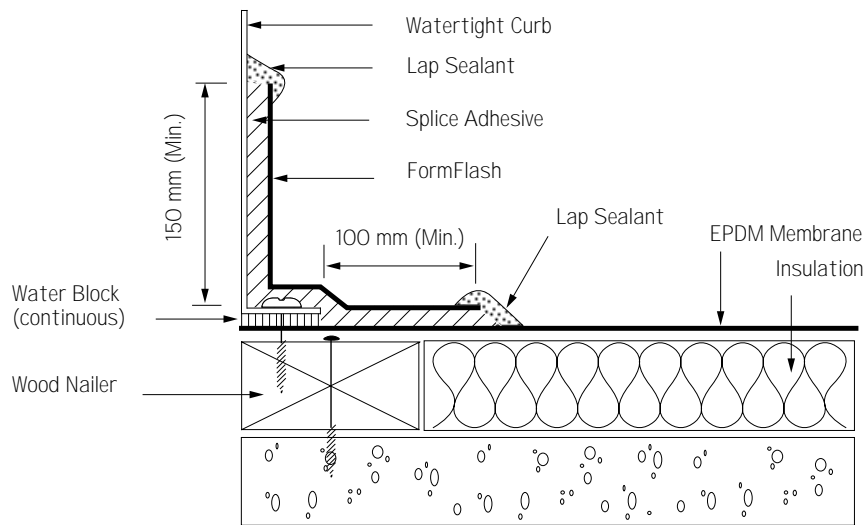


Firestone BUILDING PRODUCTS EUROPE	EPDM - DETAIL Tie-in to Existing Bituminous Roof	No. : E - BT - 8	Systems All
		12 / 1996	



Firestone BUILDING PRODUCTS EUROPE	EPDM - DETAIL Tie-in to Existing EPDM Roof	No. : E - BT - 9	Systems All
		10 / 1995	



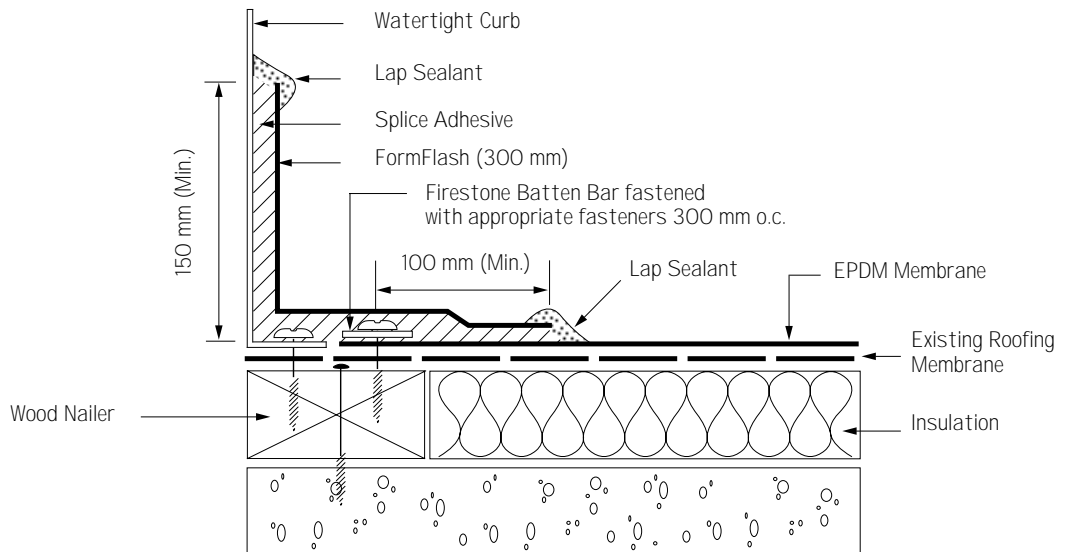


Firestone
BUILDING PRODUCTS EUROPE

EPDM - DETAIL
Tie-in to New Watertight
Curb Flashing/HVAC Unit

No. : E - BT - 10
10 / 1995

Systems
All

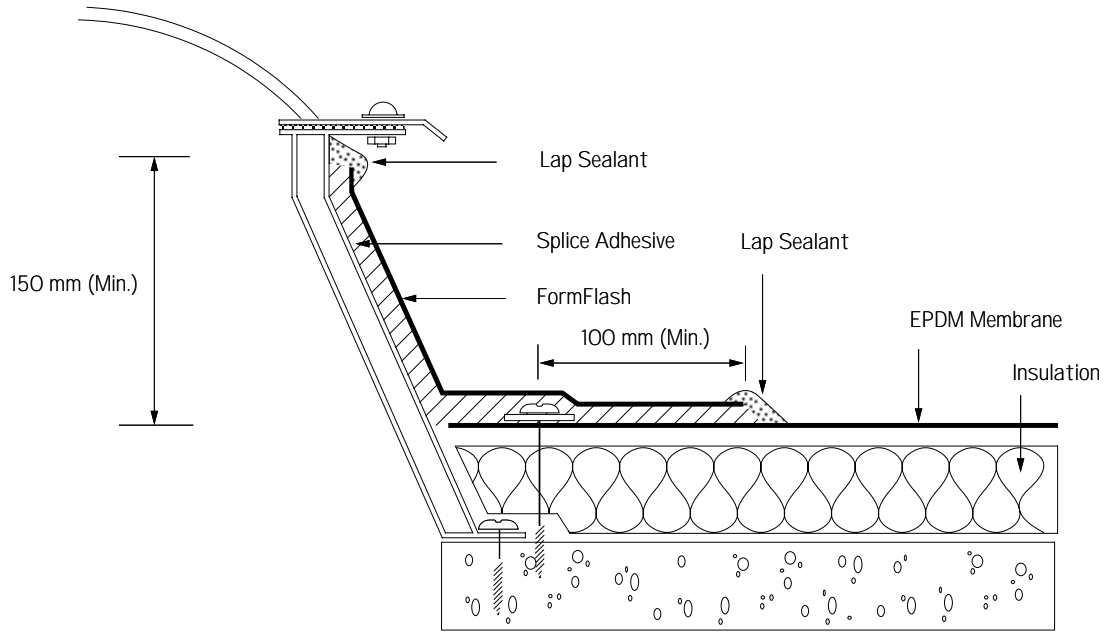


Firestone
BUILDING PRODUCTS EUROPE

EPDM - DETAIL
Tie-in to Existing Watertight
Curb/HVAC Unit

No. : E - BT - 11
10 / 1995

Systems
All



Firestone
BUILDING PRODUCTS EUROPE

EPDM - DETAIL

Tie-in To New
Skylight-Curb

No. : E - BT - 12

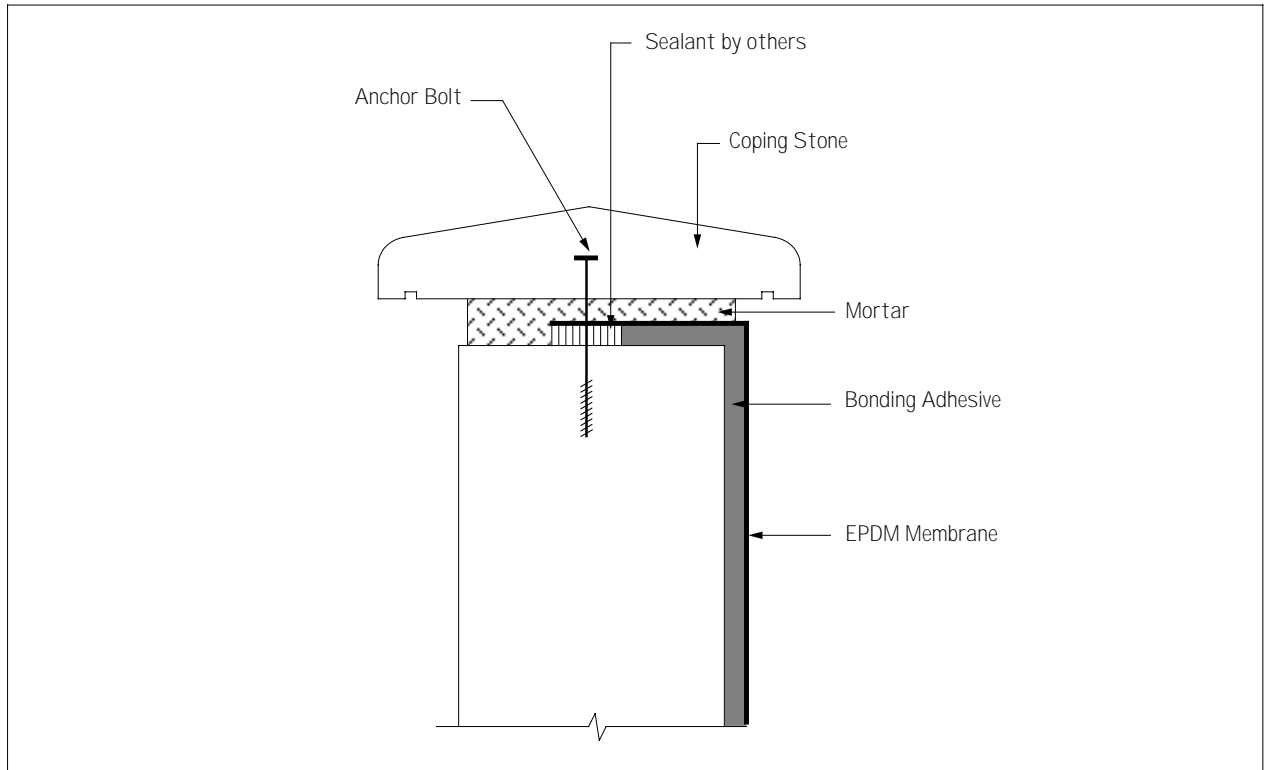
10 / 1995

Systems

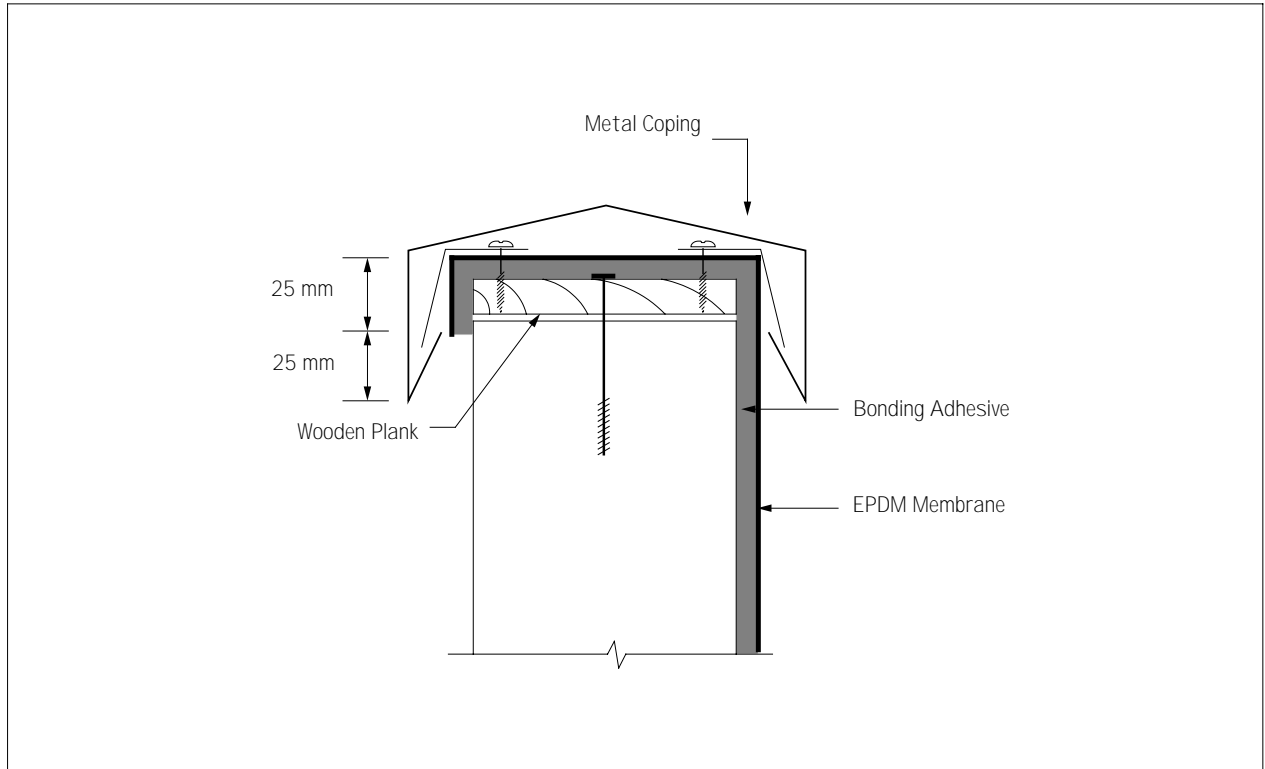
All

5.4 TERMINATIONS

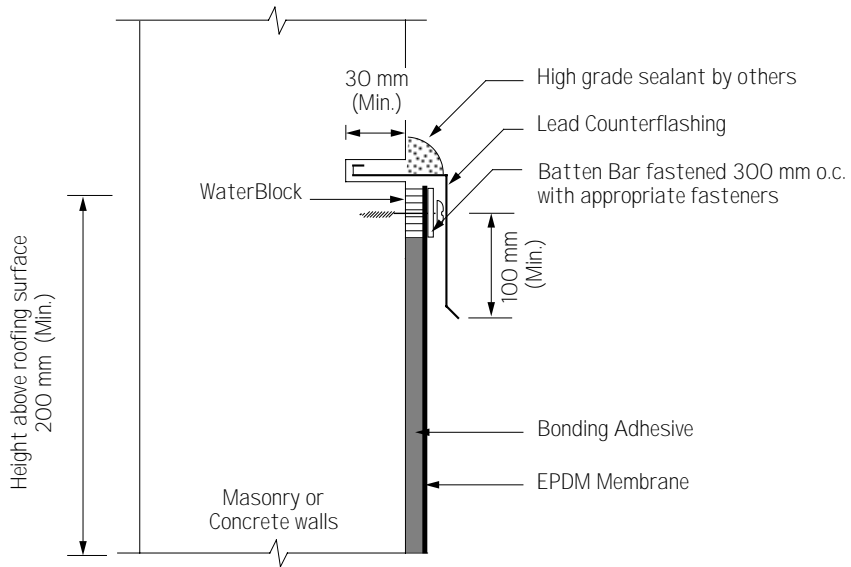
DETAIL No.	EPDM - DETAIL	SYSTEMS
E-T-1	Coping Stone Flashing Termination	All
E-T-2	Metal Coping Flashing Termination	All
E-T-3	Counterflashing Termination	All
E-T-4	Termination Bar Flashing Termination	All
E-T-5	Termination Bar Counterflashing	All
E-T-6	Termination Bar at Joint In Precast Concrete Panel	All
E-T-7	Termination Bar At Wall Expansion Joint	All
E-T-8	Metal Edge Profile Flashing Termination	All
E-T-9	Monotrim Profile Flashing Termination	All
E-T-10	Intermediate Attachment At Wall Flashing	All



Firestone BUILDING PRODUCTS EUROPE	EPDM - DETAIL Coping Stone Flashing Termination	No. : E - T - 1	Systems All
		10 / 1995	



Firestone BUILDING PRODUCTS EUROPE	EPDM - DETAIL Metal Coping Flashing Termination	No. : E - T - 2	Systems All
		10 / 1995	

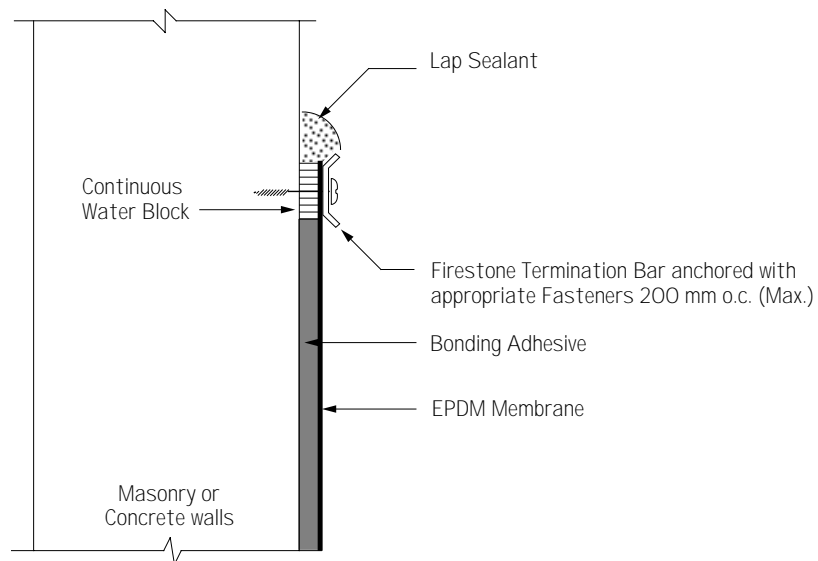


Firestone
BUILDING PRODUCTS EUROPE

EPDM - DETAIL
Counterflashing
Termination

No. : E - T - 3
10 / 1995

Systems
All

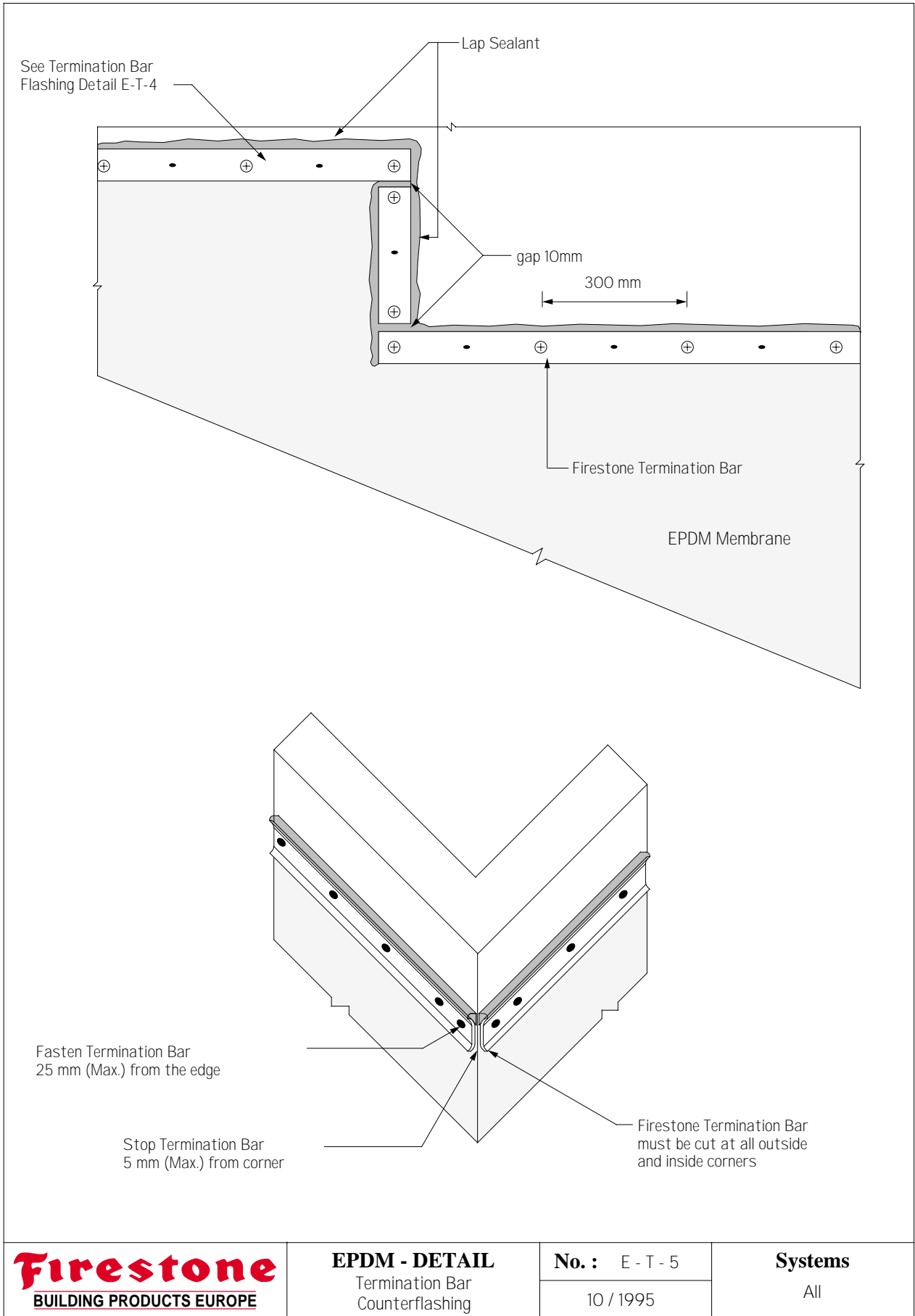


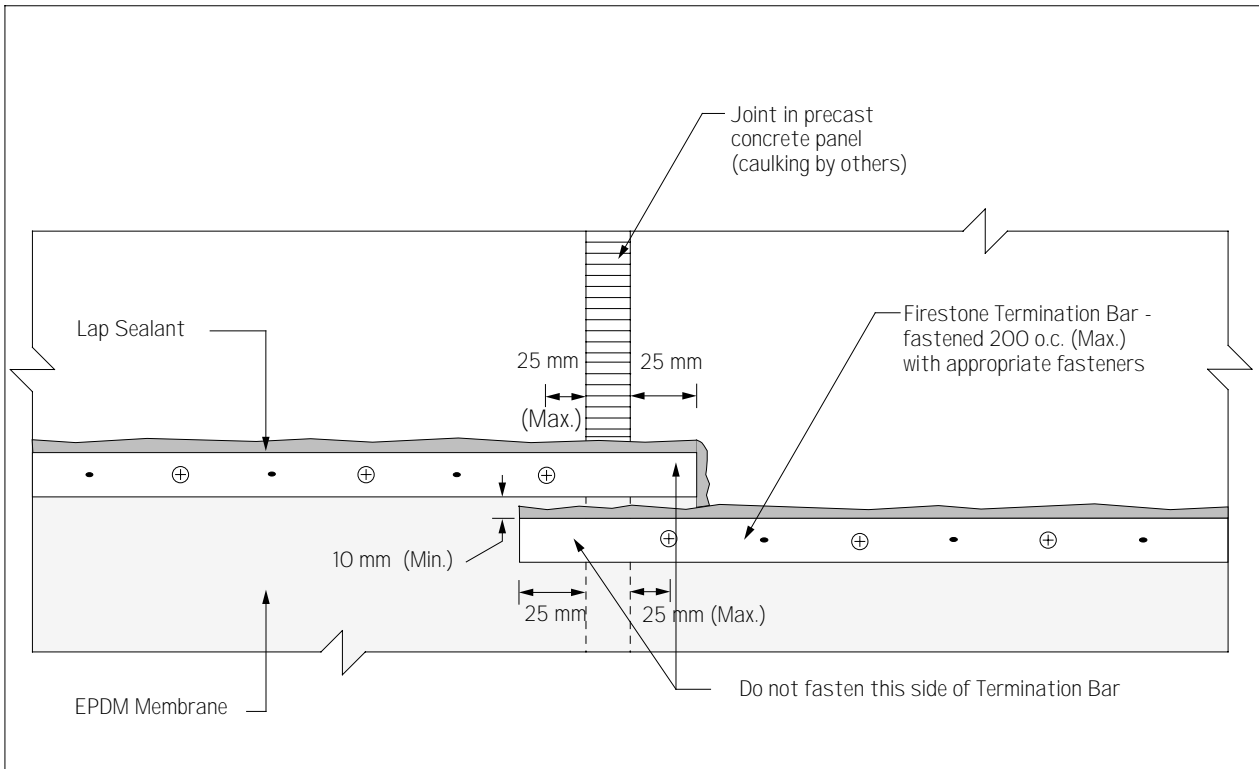
Firestone
BUILDING PRODUCTS EUROPE

EPDM - DETAIL
Termination Bar
Flashing Termination

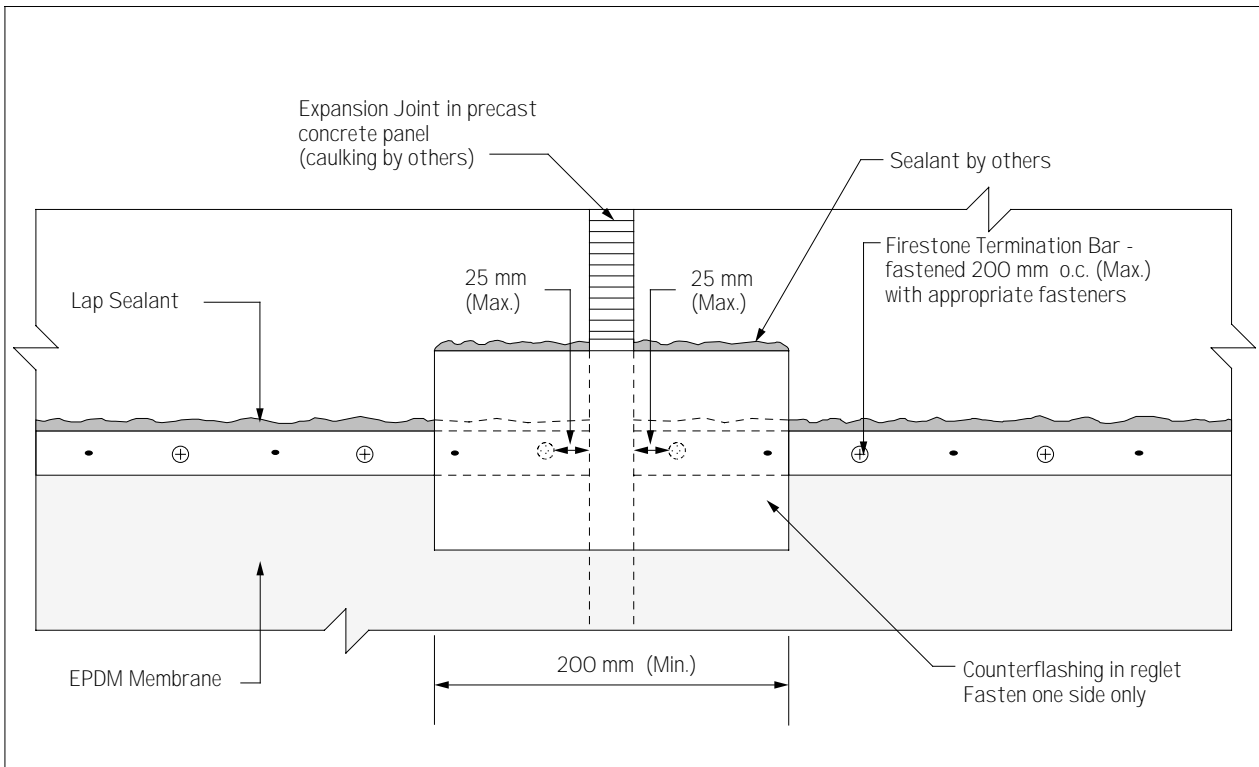
No. : E - T - 4
10 / 1995

Systems
All

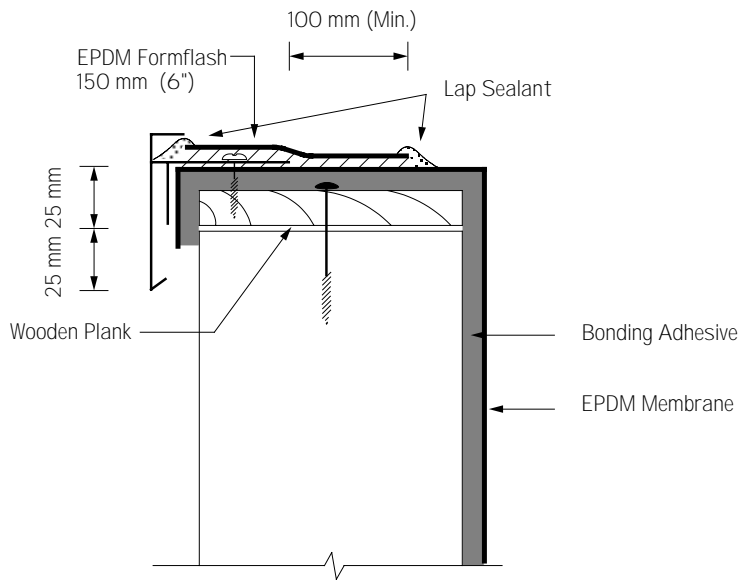




 BUILDING PRODUCTS EUROPE	EPDM - DETAIL Termination Bar At Joint In Precast Concrete Panel	No. : E - T - 6	Systems All
		10 / 1995	



 BUILDING PRODUCTS EUROPE	EPDM - DETAIL Termination Bar At Wall Expansion Joint	No. : E - T - 7	Systems All
		10 / 1995	

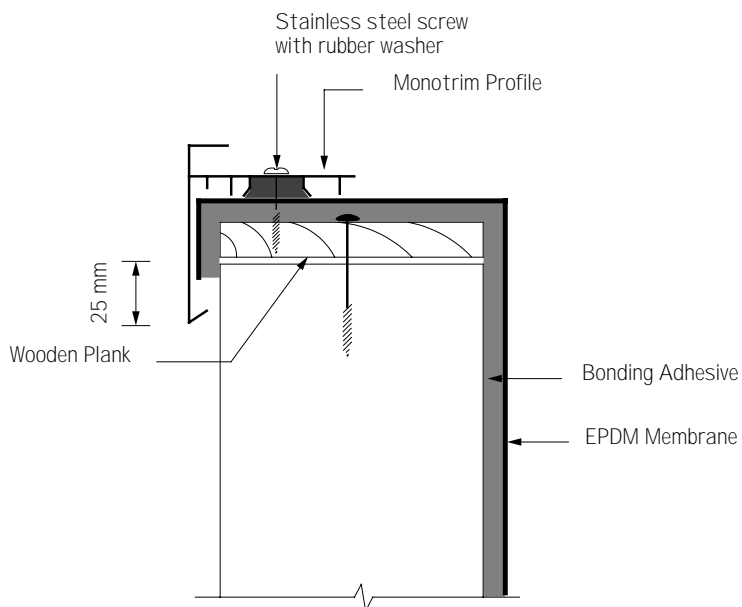


Firestone
BUILDING PRODUCTS EUROPE

EPDM - DETAIL
Metal Edge Profile
Flashing Termination

No. : E - T - 8
10 / 1995

Systems
All

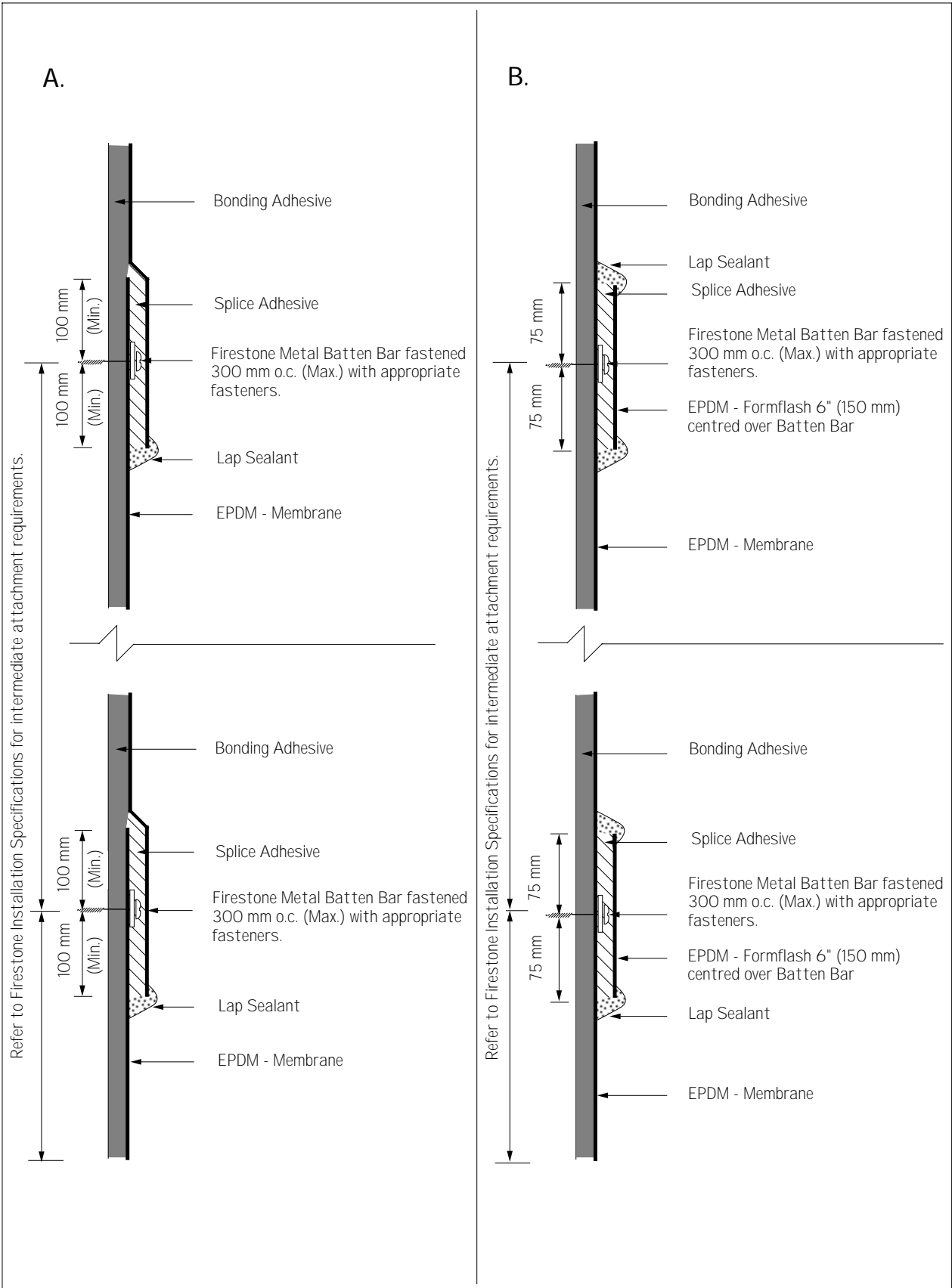


Firestone
BUILDING PRODUCTS EUROPE

EPDM - DETAIL
Monotrim Profile
Flashing Termination

No. : E - T - 9
10 / 1995

Systems
All



Firestone
BUILDING PRODUCTS EUROPE

EPDM - DETAIL
Intermediate Attachment
At Wall Flashing

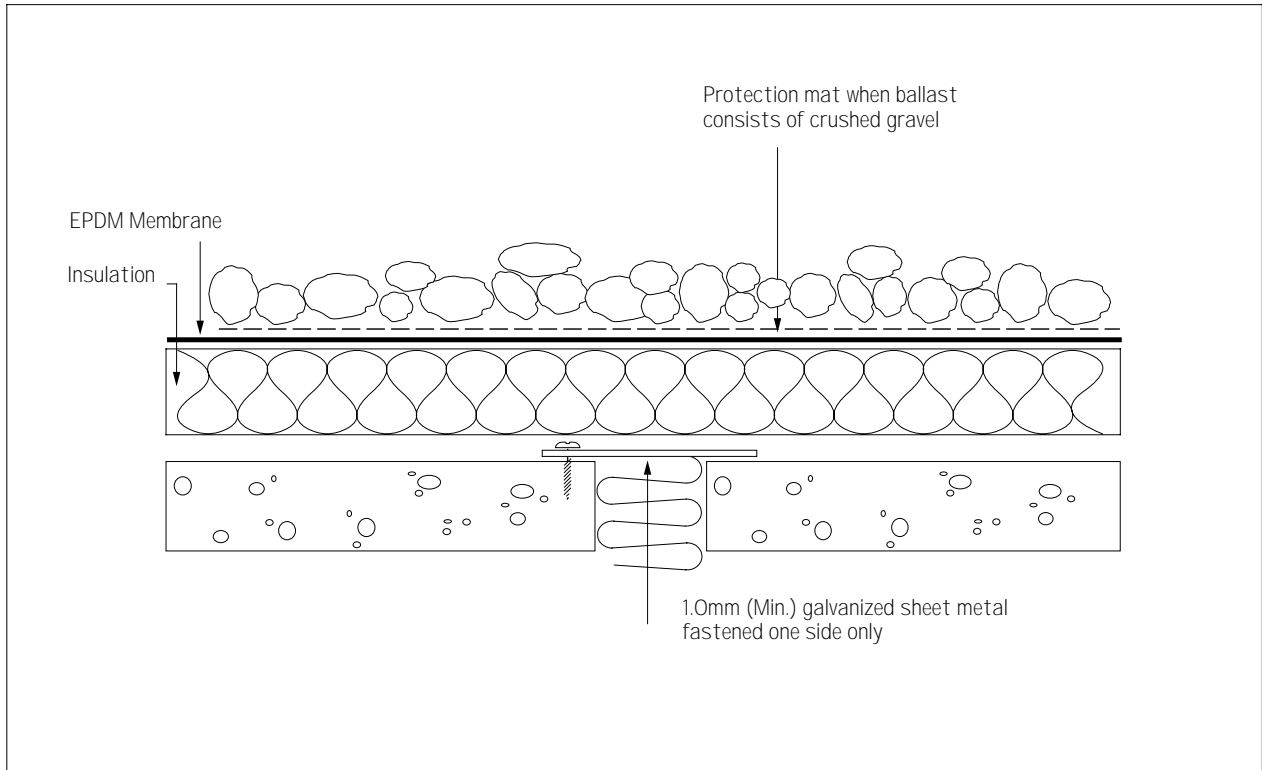
No. : E - T - 10
10 / 1995

Systems
All

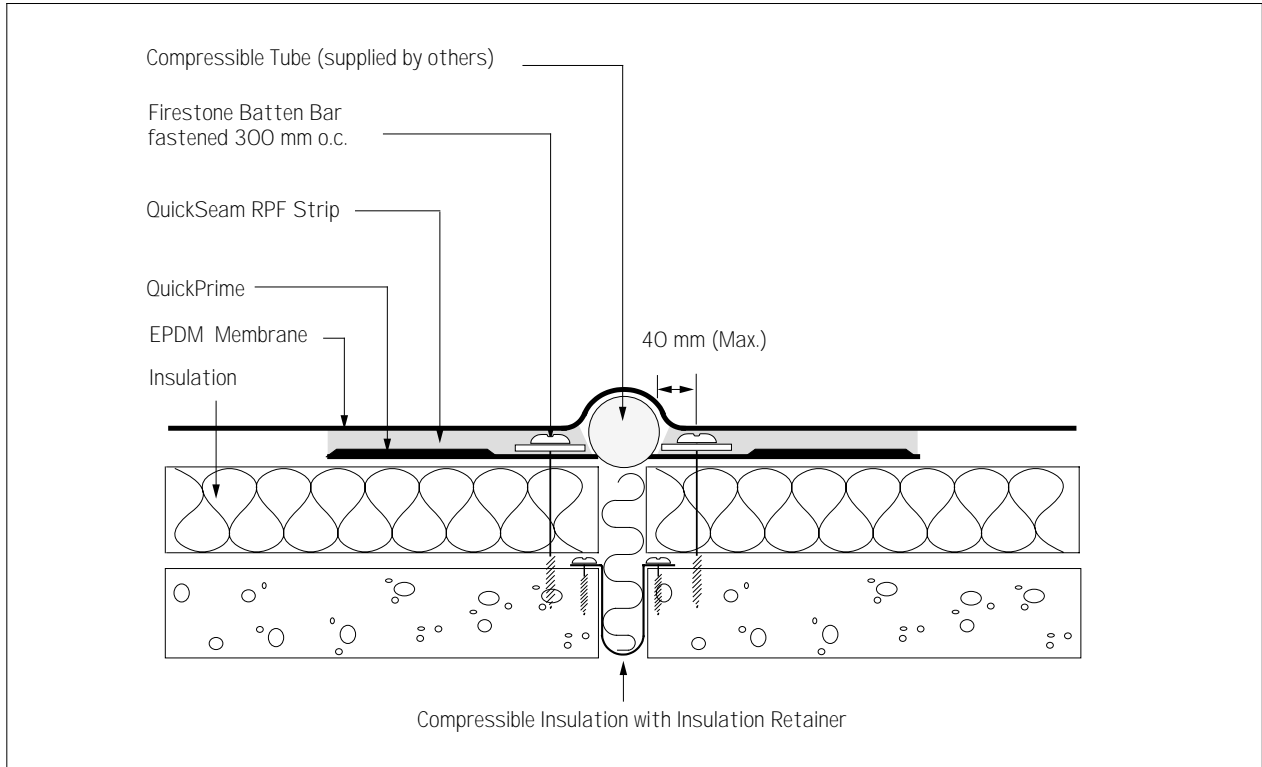


5.5 EXPANSION JOINTS

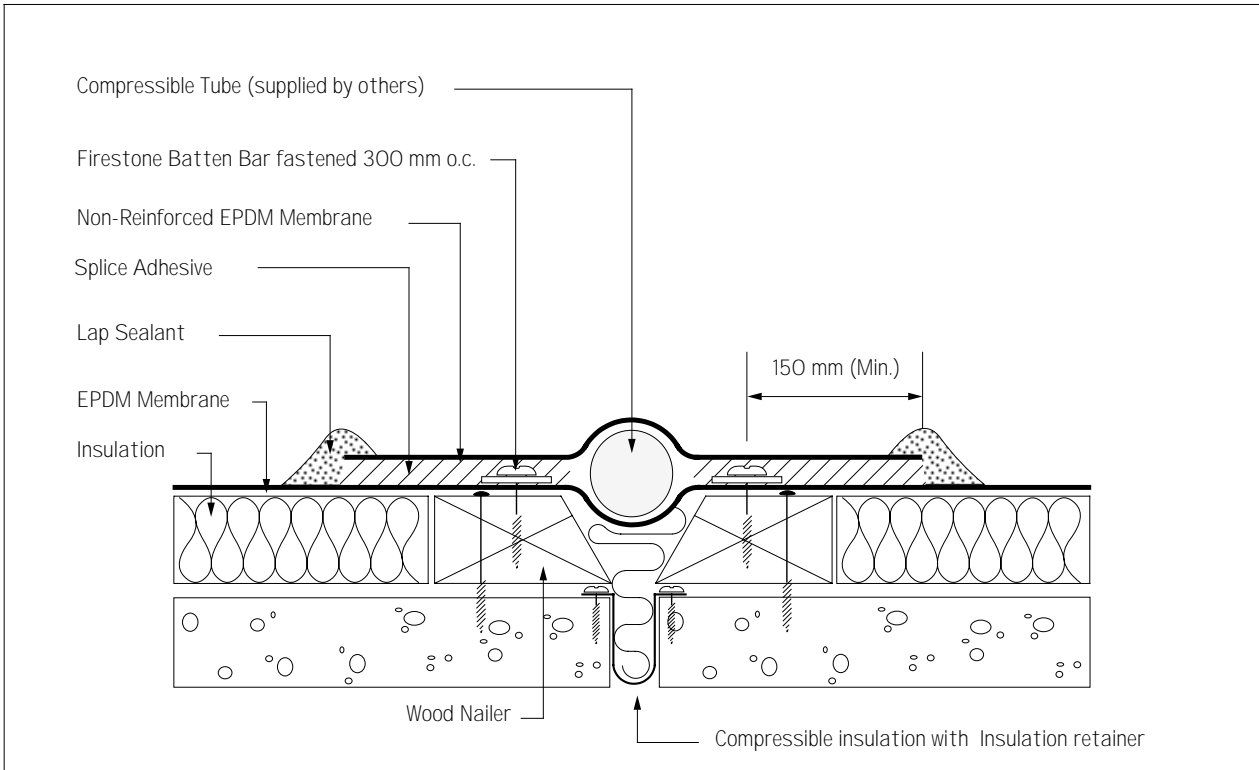
DETAIL No.	EPDM - DETAIL	SYSTEMS
E-E-1	Flat Expansion Joint	Ballast, Inverted
E-E-2	Flat Expansion Joint With QSRPF Strip	All
E-E-3	Flat Expansion Joint With Batten Strip	Adhered, MAS, BIS, Reinforced
E-E-4	Existing Expansion Joint	All
E-E-5	Raised Expansion Joint with QSRPF Strip	All
E-E-6	Raised Expansion Joint With Batten Bar	All
E-E-7	Raised Expansion Joint With QSRPF Strip	All
E-E-8	Raised Expansion Joint With Batten Bar	All
E-E-9	Wall Expansion Joint With QSRPF Strip	All
E-E-10	Wall Expansion Joint With Batten Bar	All



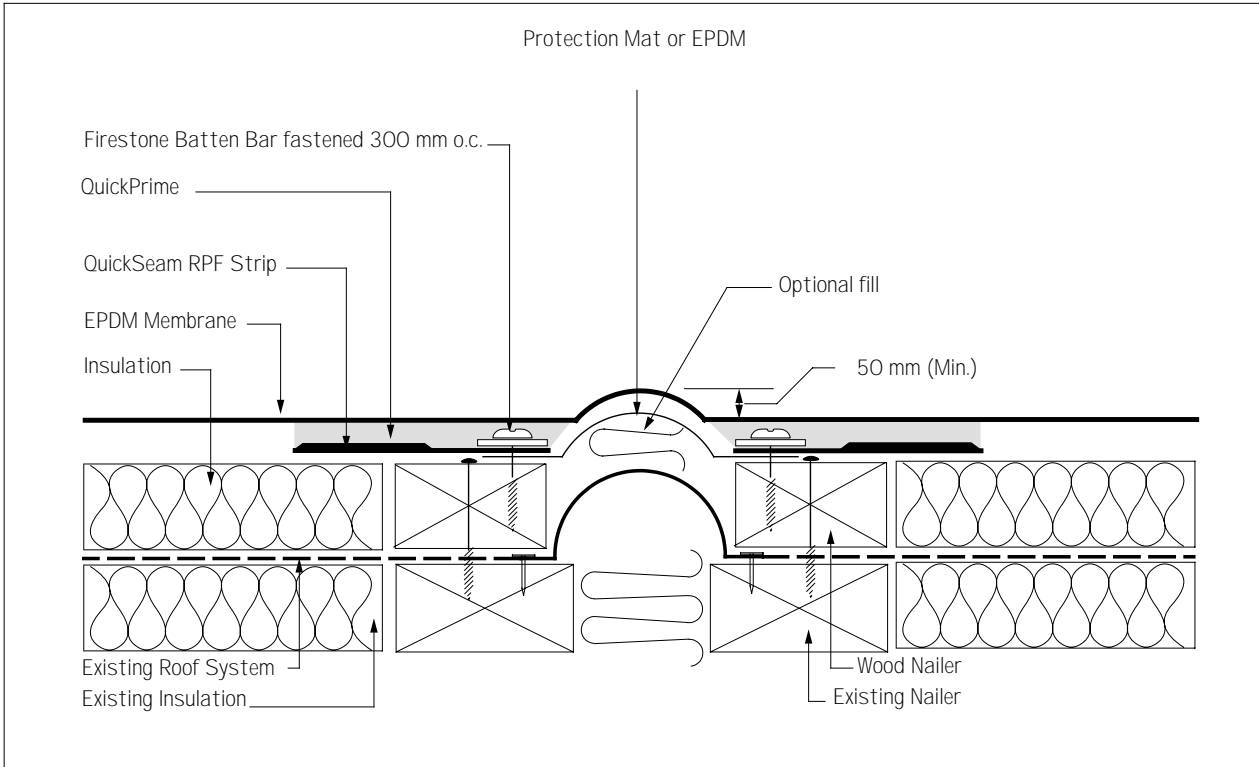
Firestone BUILDING PRODUCTS EUROPE	EPDM - DETAIL Flat Expansion Joint	No. : E - E - 1	Systems Ballasted, Inverted
		10 / 1995	



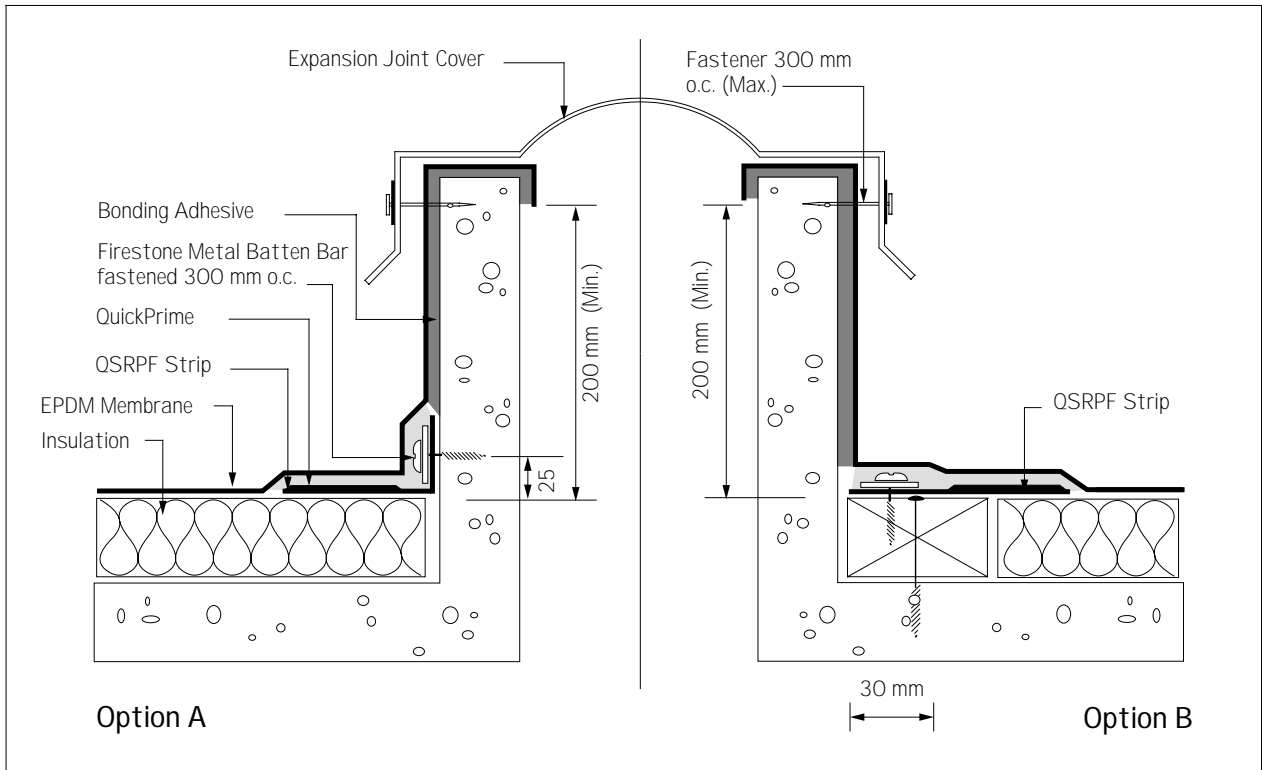
Firestone BUILDING PRODUCTS EUROPE	EPDM - DETAIL Flat Expansion Joint With QuickSeam RPF Strip	No. : E - E - 2	Systems All
		12 / 1996	



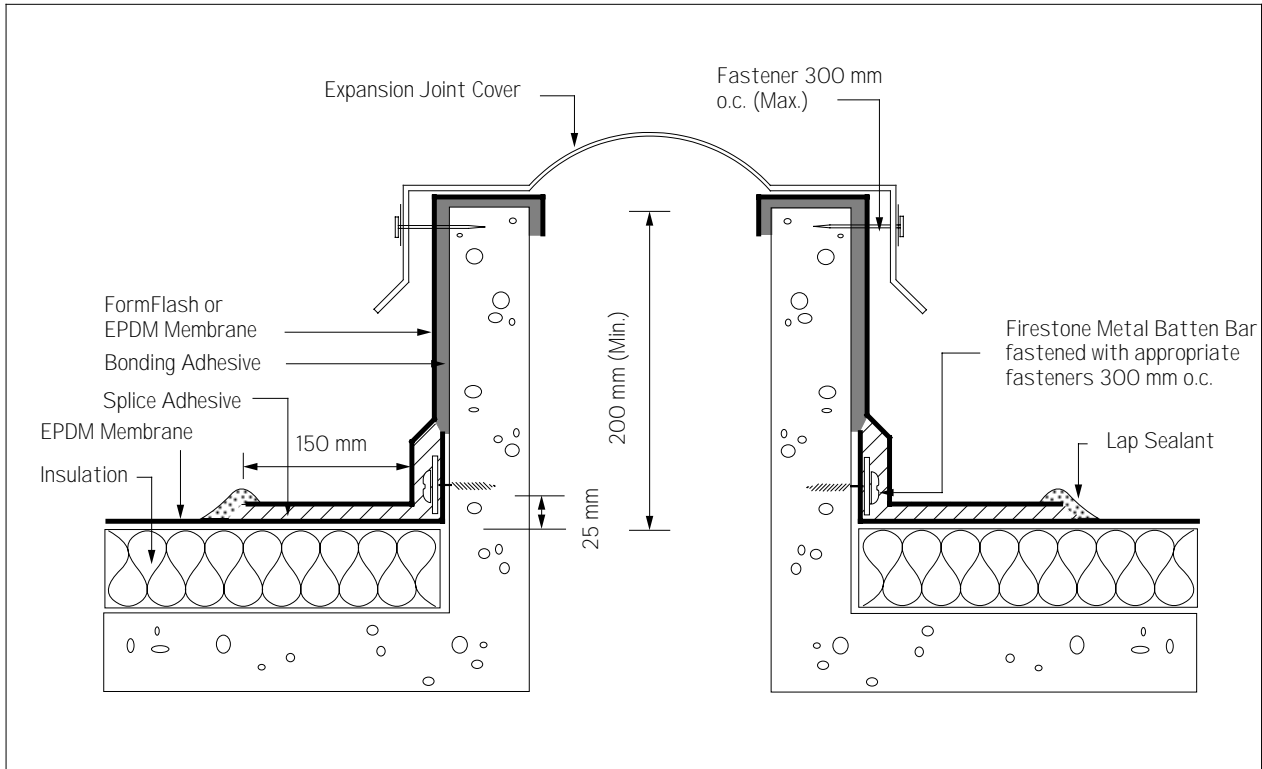
Firestone BUILDING PRODUCTS EUROPE	EPDM - DETAIL Flat Expansion Joint Detail with Batten Bar	No. : E - E - 3	Systems Adhered, MAS, Reinforced
		10 / 1995	



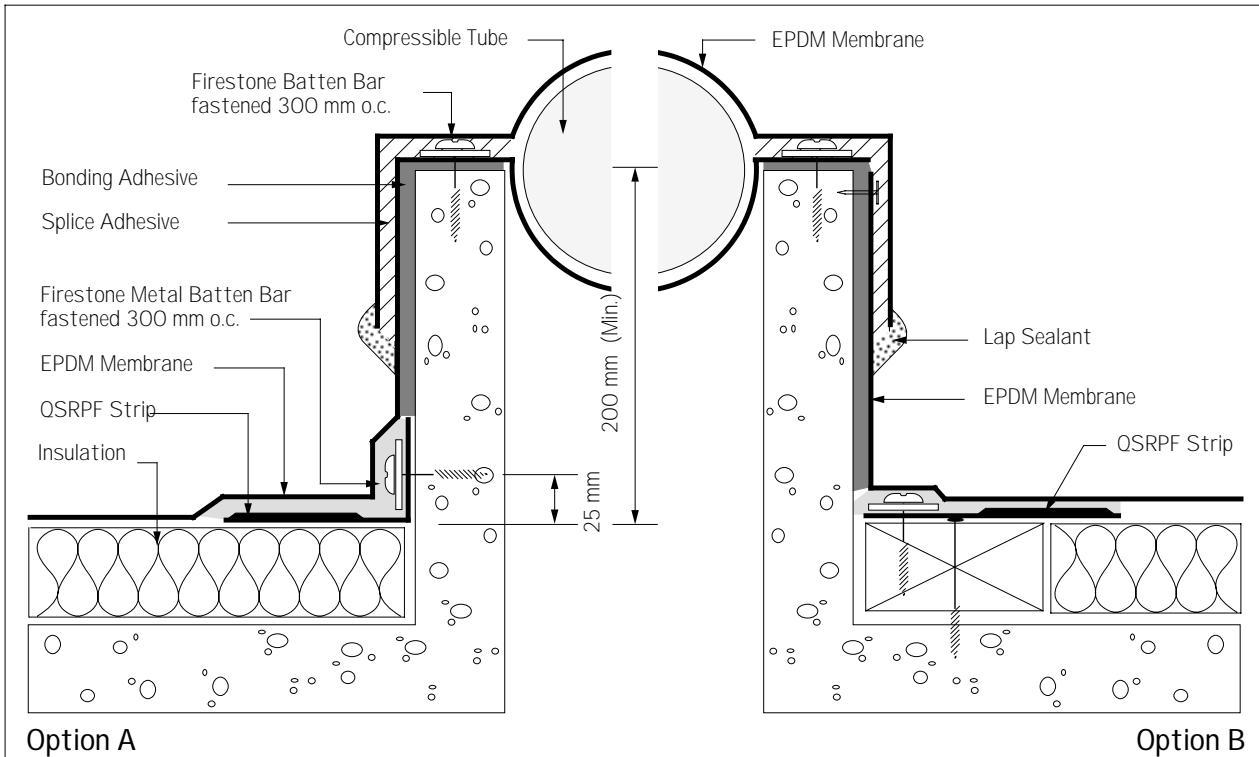
Firestone BUILDING PRODUCTS EUROPE	EPDM - DETAIL Existing Expansion Joint	No. : E - E - 4	Systems Ballasted
		12 / 1996	



 Firestone BUILDING PRODUCTS EUROPE	EPDM - DETAIL Raised Expansion Joint With QuickSeam RPF Strip	No. : E - E - 5	Systems All
		12 / 1996	



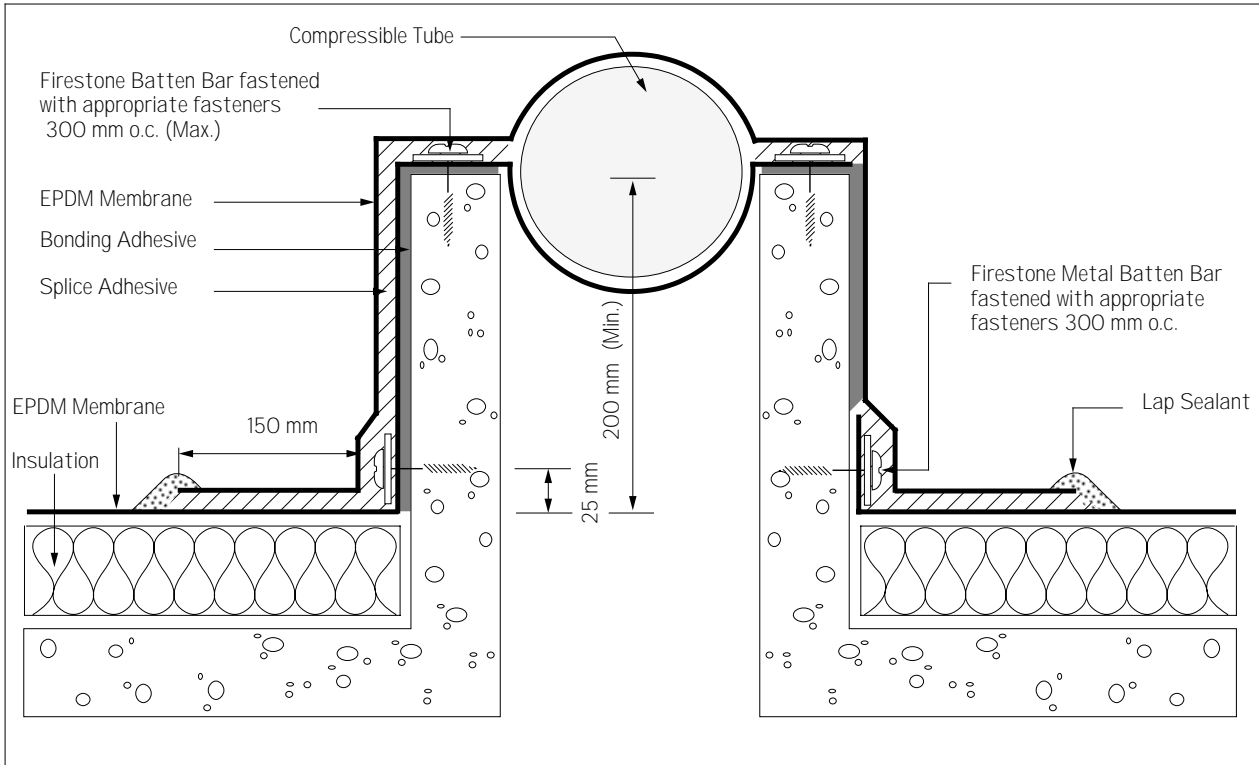
 Firestone BUILDING PRODUCTS EUROPE	EPDM - DETAIL Raised Expansion Joint With Batten Bar	No. : E - E - 6	Systems All
		10 / 1995	



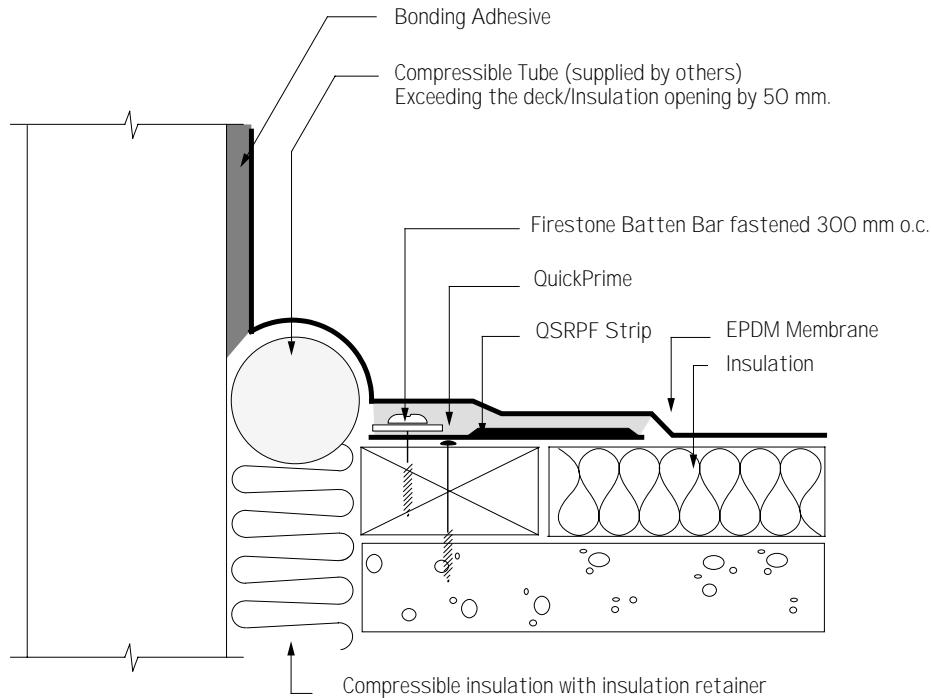
Option A

Option B

 BUILDING PRODUCTS EUROPE	EPDM - DETAIL Raised Expansion Joint With QuickSeam RPF Strip	No. : E - E - 7	Systems All
		12 / 1996	



 BUILDING PRODUCTS EUROPE	EPDM - DETAIL Raised Expansion Joint With Batten Bar	No. : E - E - 8	Systems All
		10 / 1995	

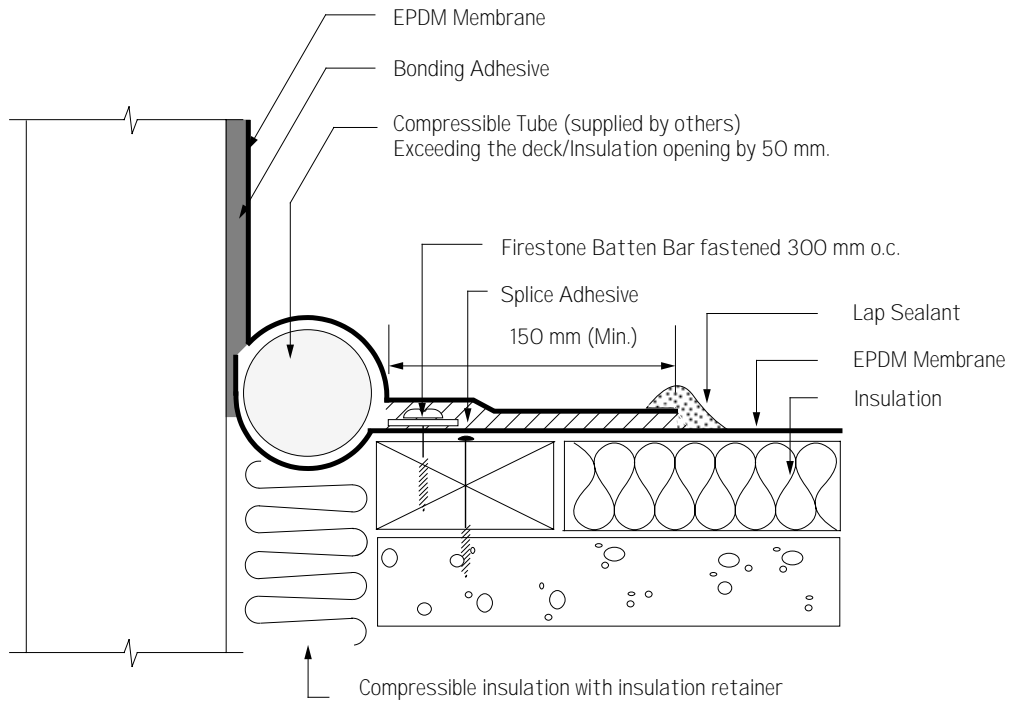


Firestone
BUILDING PRODUCTS EUROPE

EPDM - DETAIL
Wall Expansion Joint
With QuickSeam RPF Strip

No. : E - E - 9
12 / 1996

Systems
All



Firestone
BUILDING PRODUCTS EUROPE

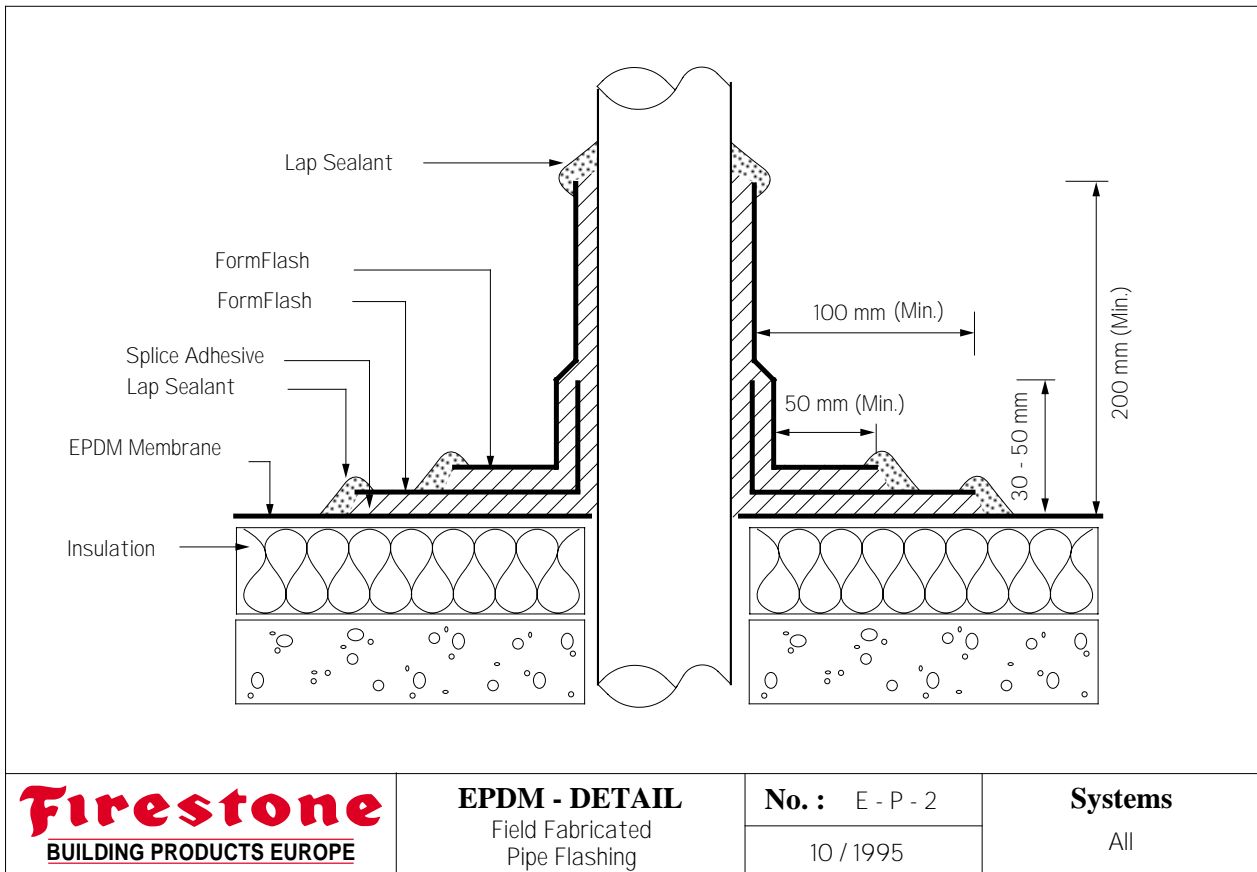
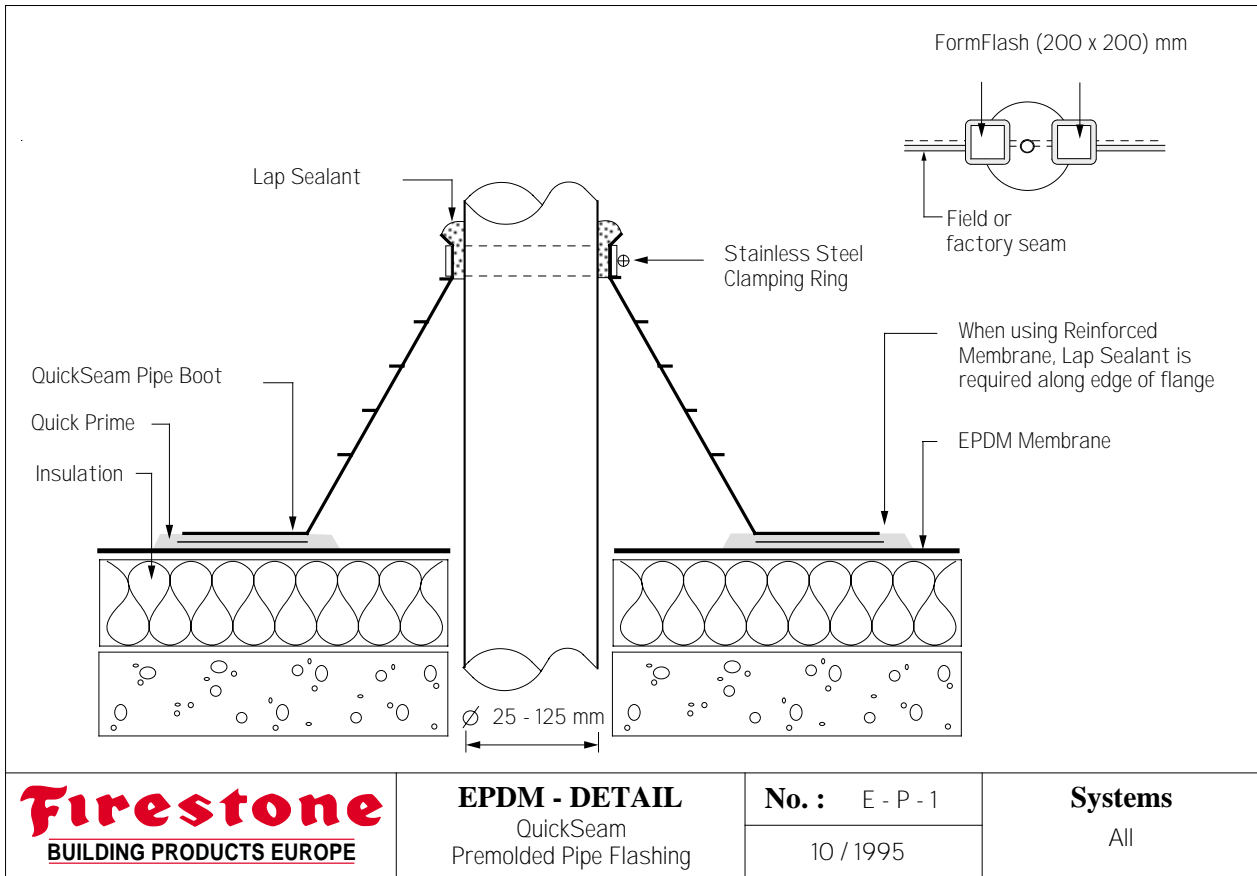
EPDM - DETAIL
Wall Expansion Joint
With Batten Bar

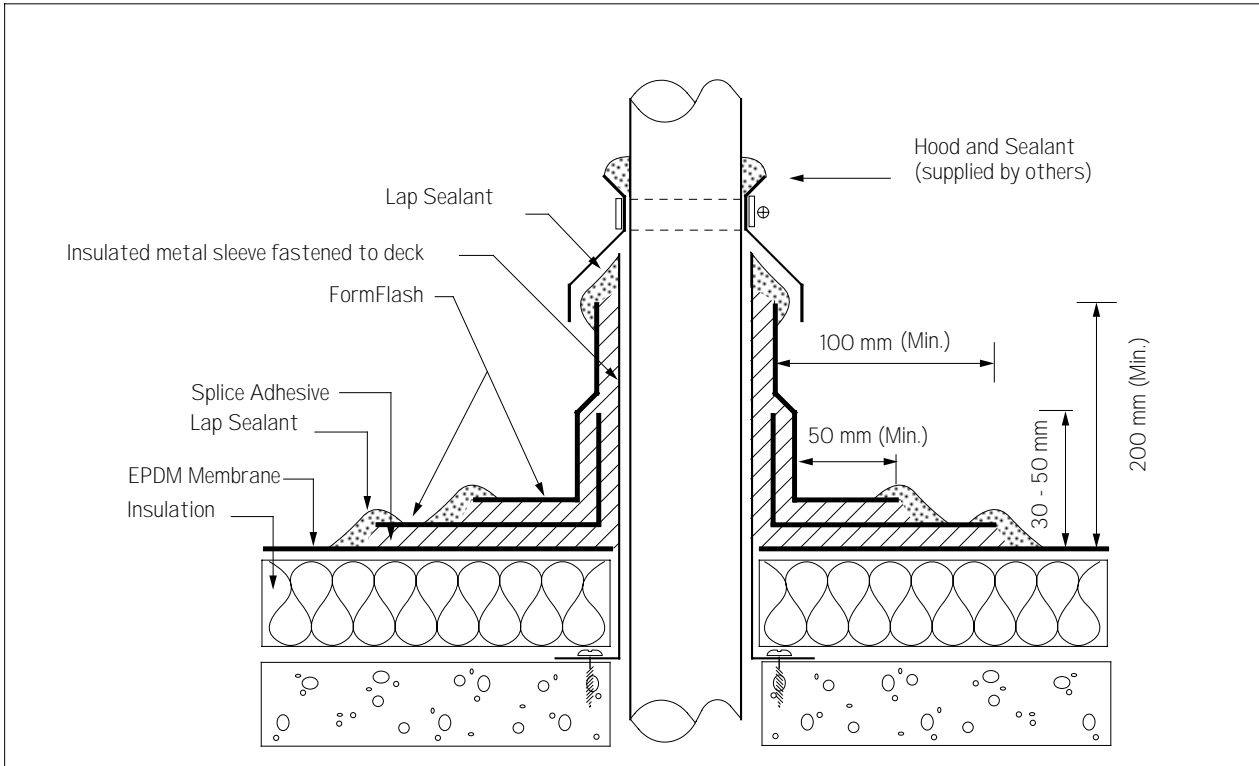
No. : E - E - 10
10 / 1995

Systems
All

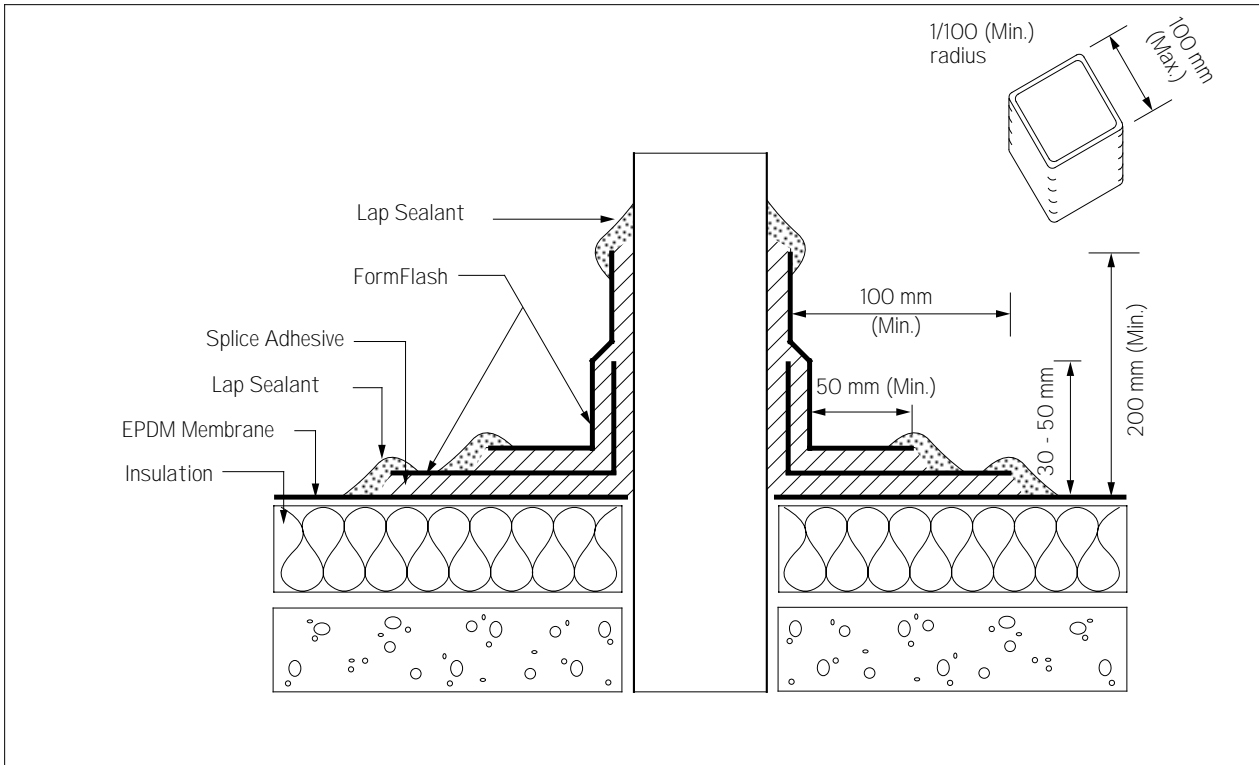
5.6 PENETRATIONS

DETAIL No.	EPDM - DETAIL	SYSTEMS
E-P-1	QuickSeam Pre-molded Pipe Flashing	All
E-P-2	Field Fabricated Pipe Flashing	All
E-P-3	Hot Pipe Flashing	All
E-P-4	Field Fabricated Tube Flashing	All
E-P-5	Penetration Pocket	All
E-P-6	Pipe Batten Layout With EPDM Target Piece	MAS,BIS, Reinforced
E-P-7	Pipe Batten Layout With QuickSeam Batten Cover	MAS, BIS, Reinforced

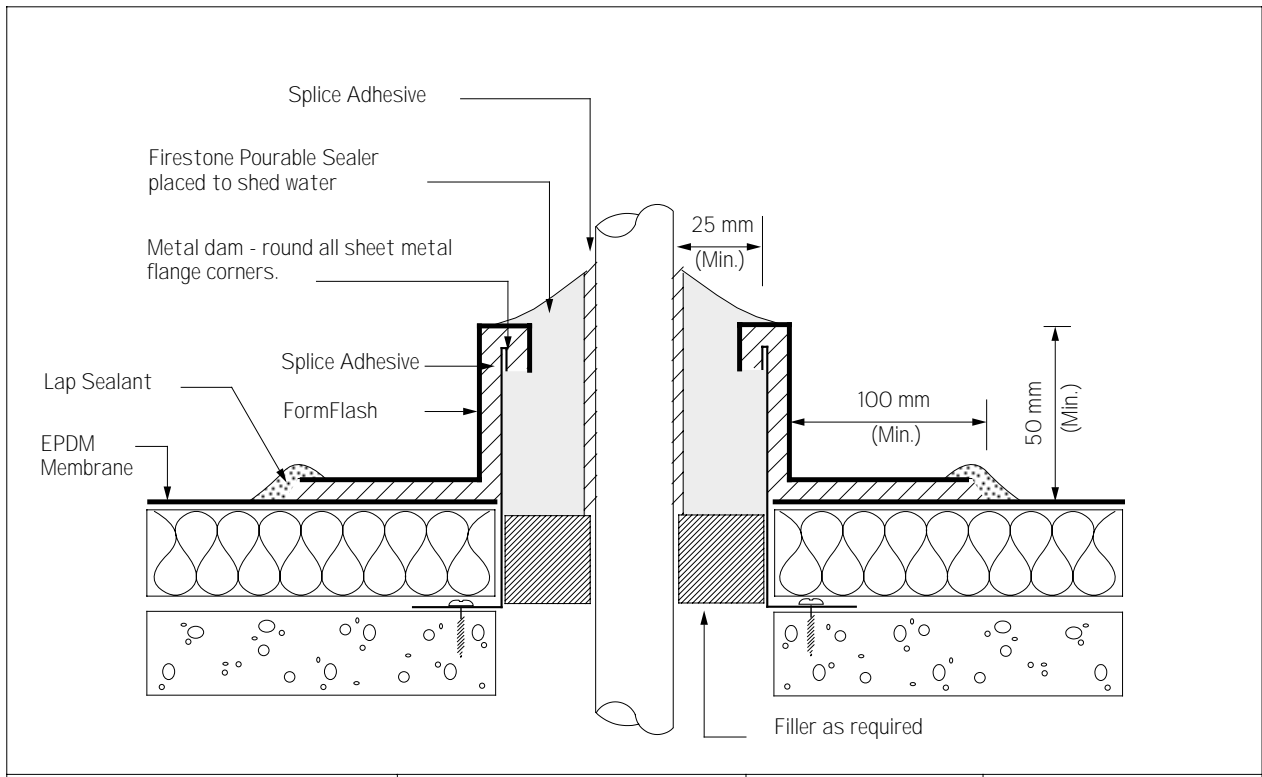




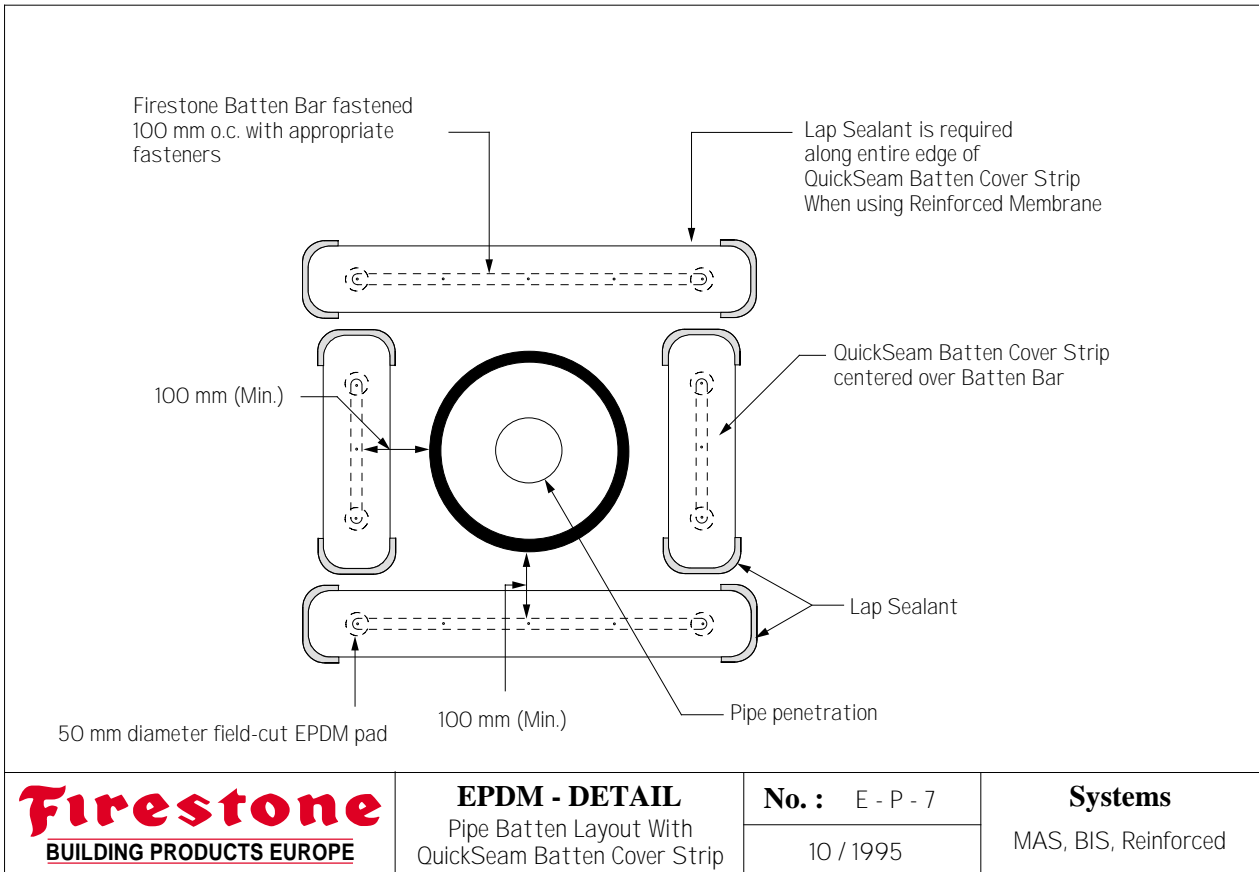
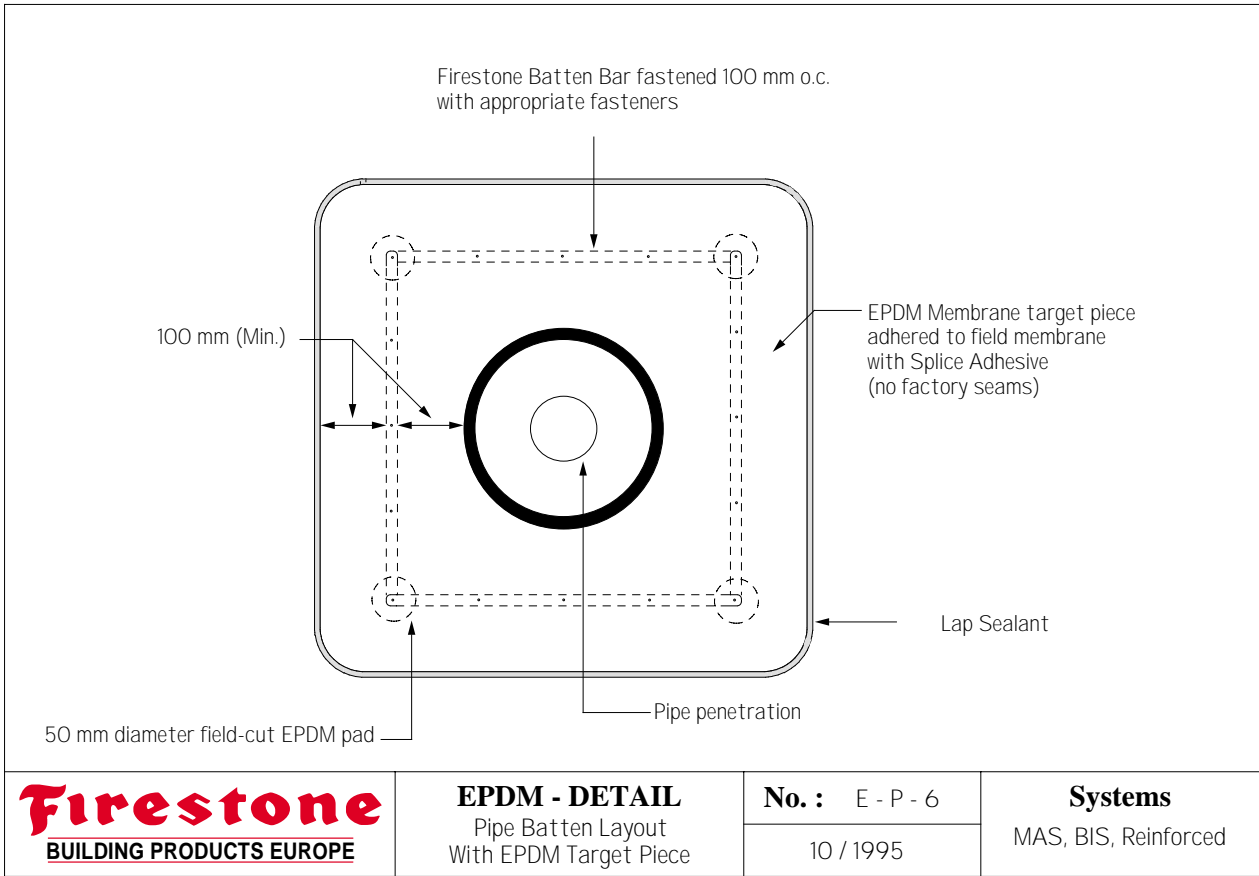
Firestone BUILDING PRODUCTS EUROPE	EPDM - DETAIL Hot Pipe Flashing	No. : E - P - 3	Systems All
		10 / 1995	



Firestone BUILDING PRODUCTS EUROPE	EPDM - DETAIL Field Fabricated Tube Flashing	No. : E - P - 4	Systems All
		10 / 1995	



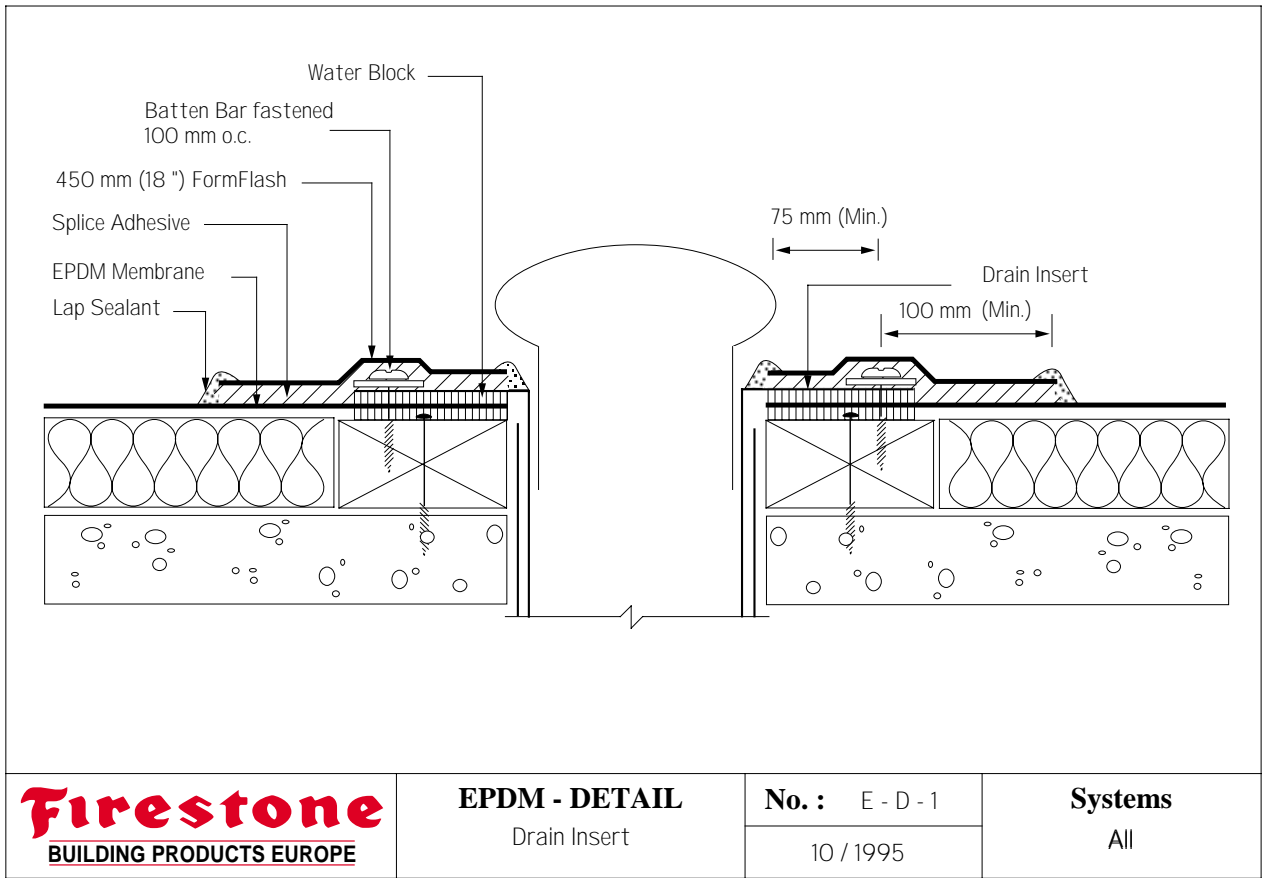
Firestone BUILDING PRODUCTS EUROPE	EPDM - DETAIL Penetration Pocket	No. : E - P - 5	Systems All
		10 / 1995	

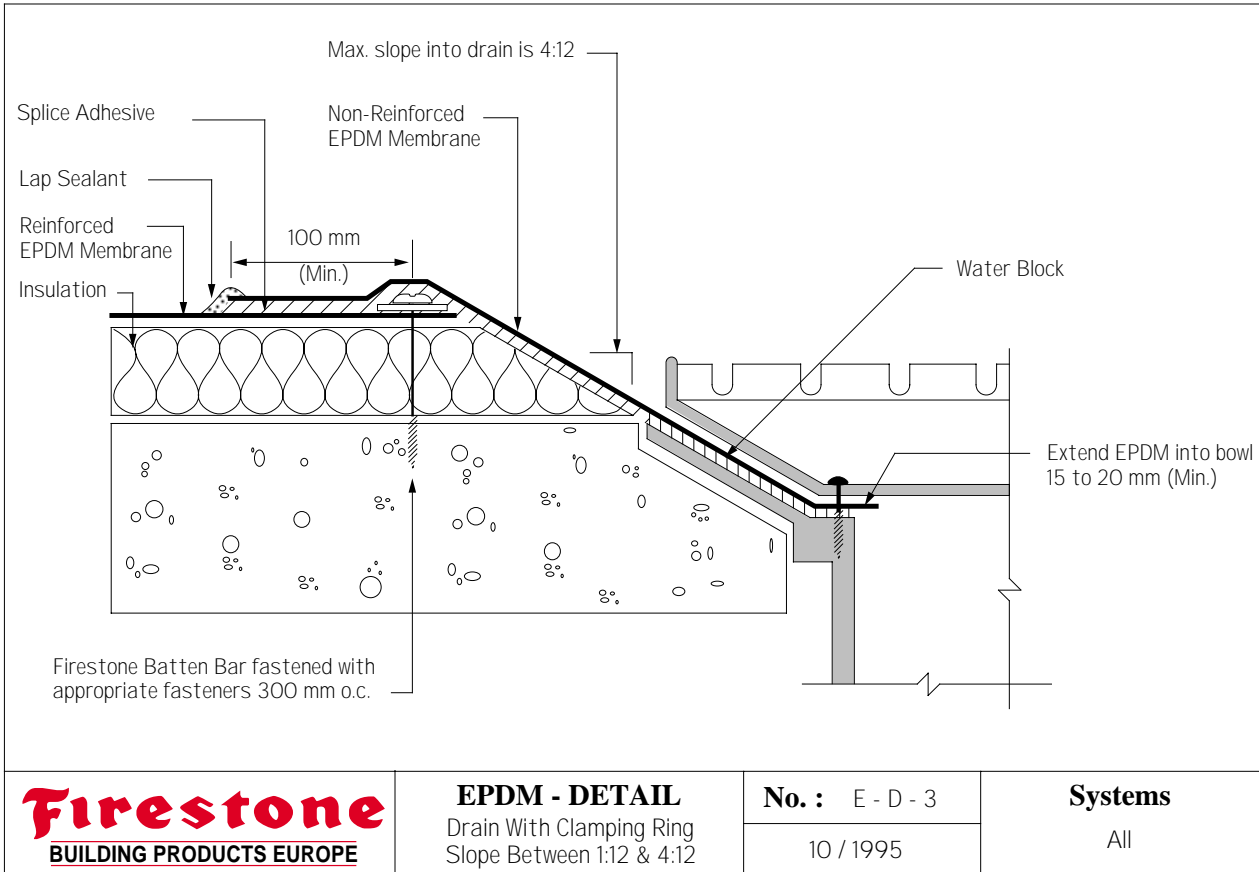
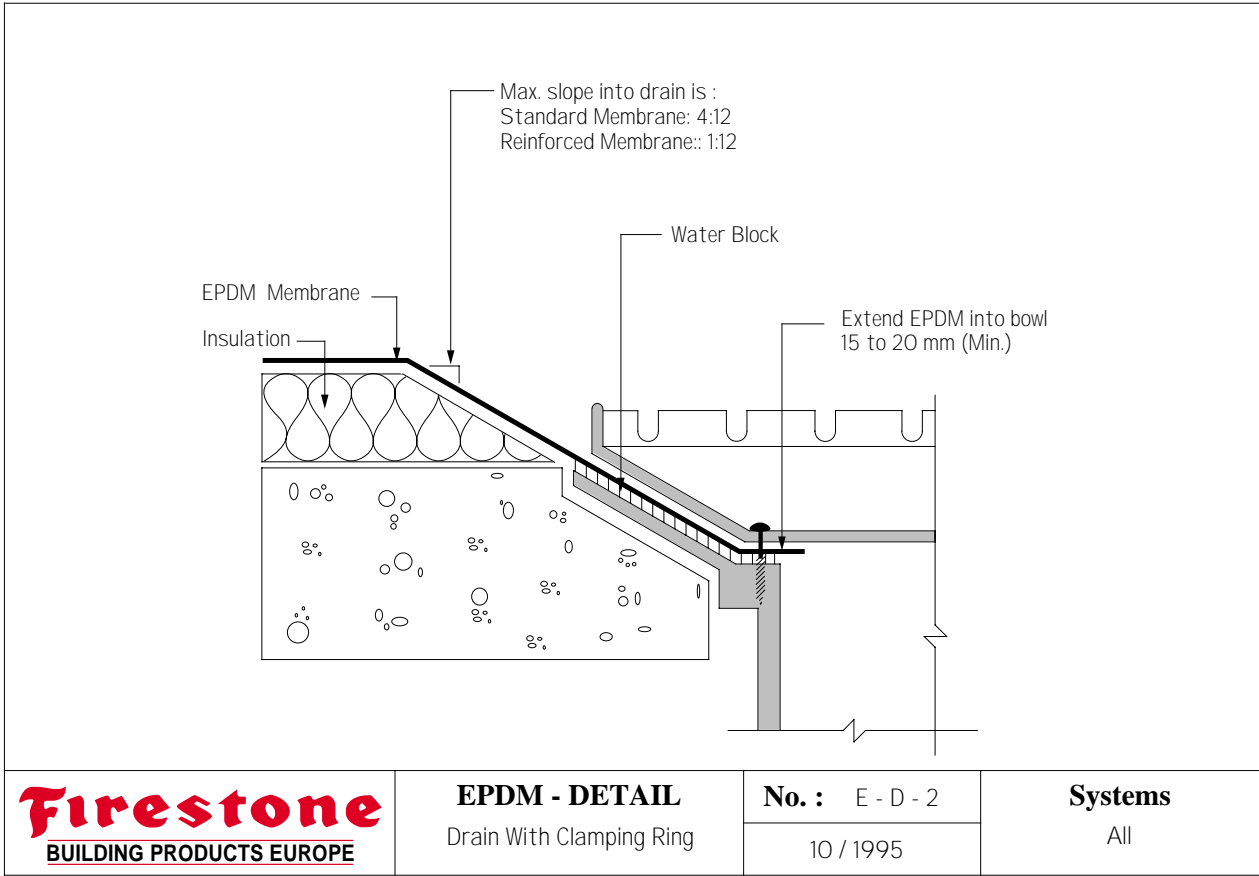


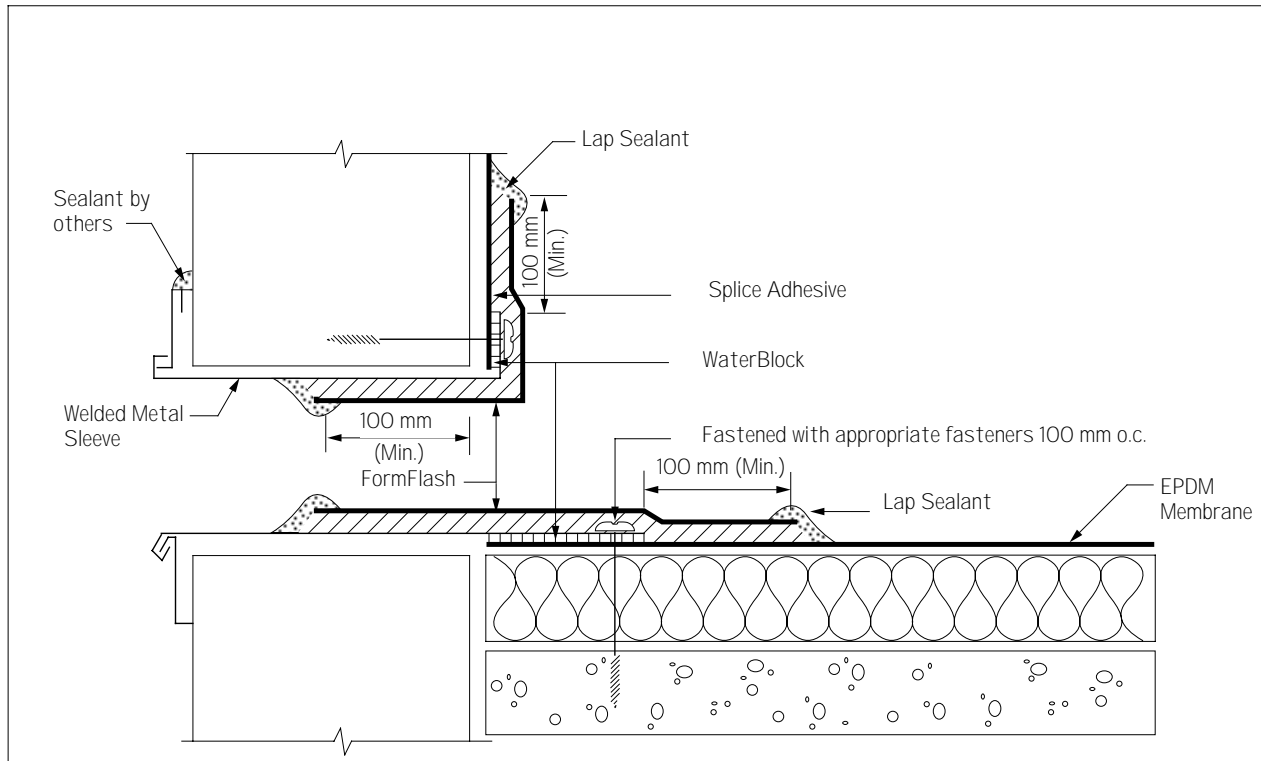


5.7 DRAINS

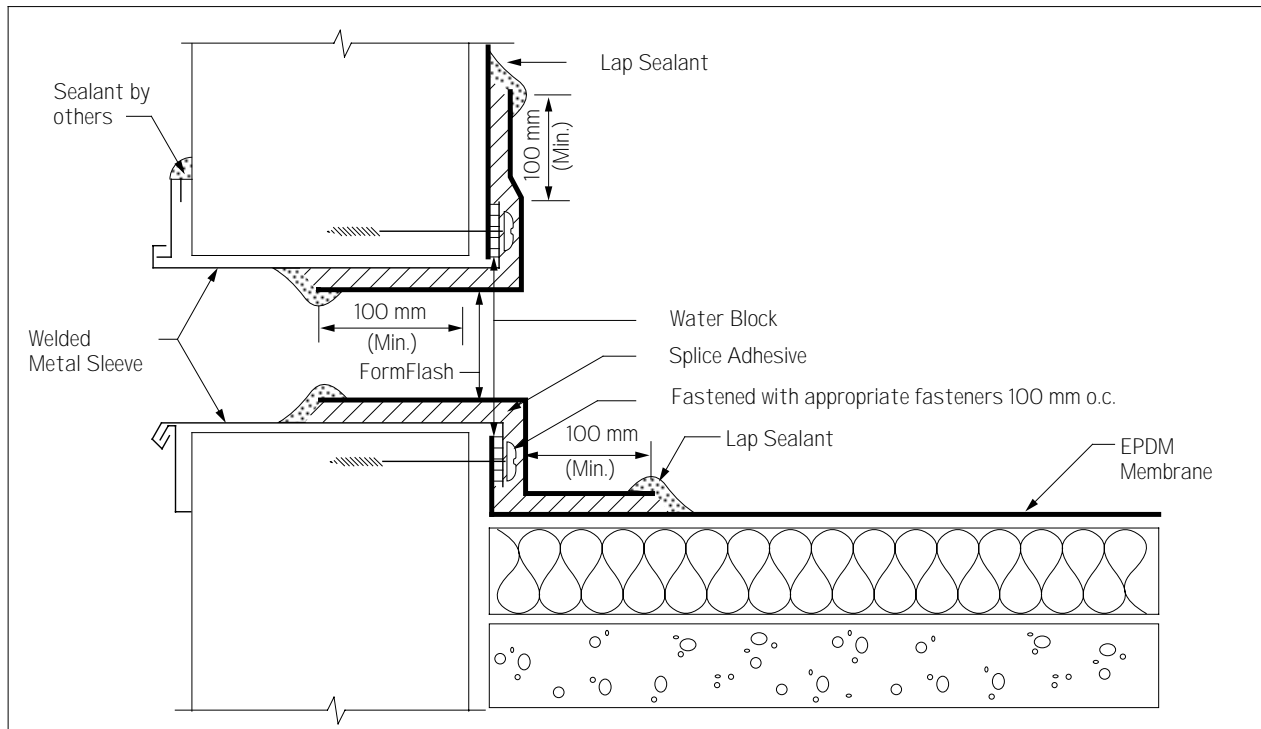
DETAIL No.	EPDM - DETAIL	SYSTEMS
E-D-1	Drain Insert	All
E-D-2	Drain With Clamping Ring	All
E-D-3	Drain With Clamping Ring, Slope Between 1:12 & 4:12	All
E-D-4	Scupper	All
E-D-5	Overflow Scupper	All







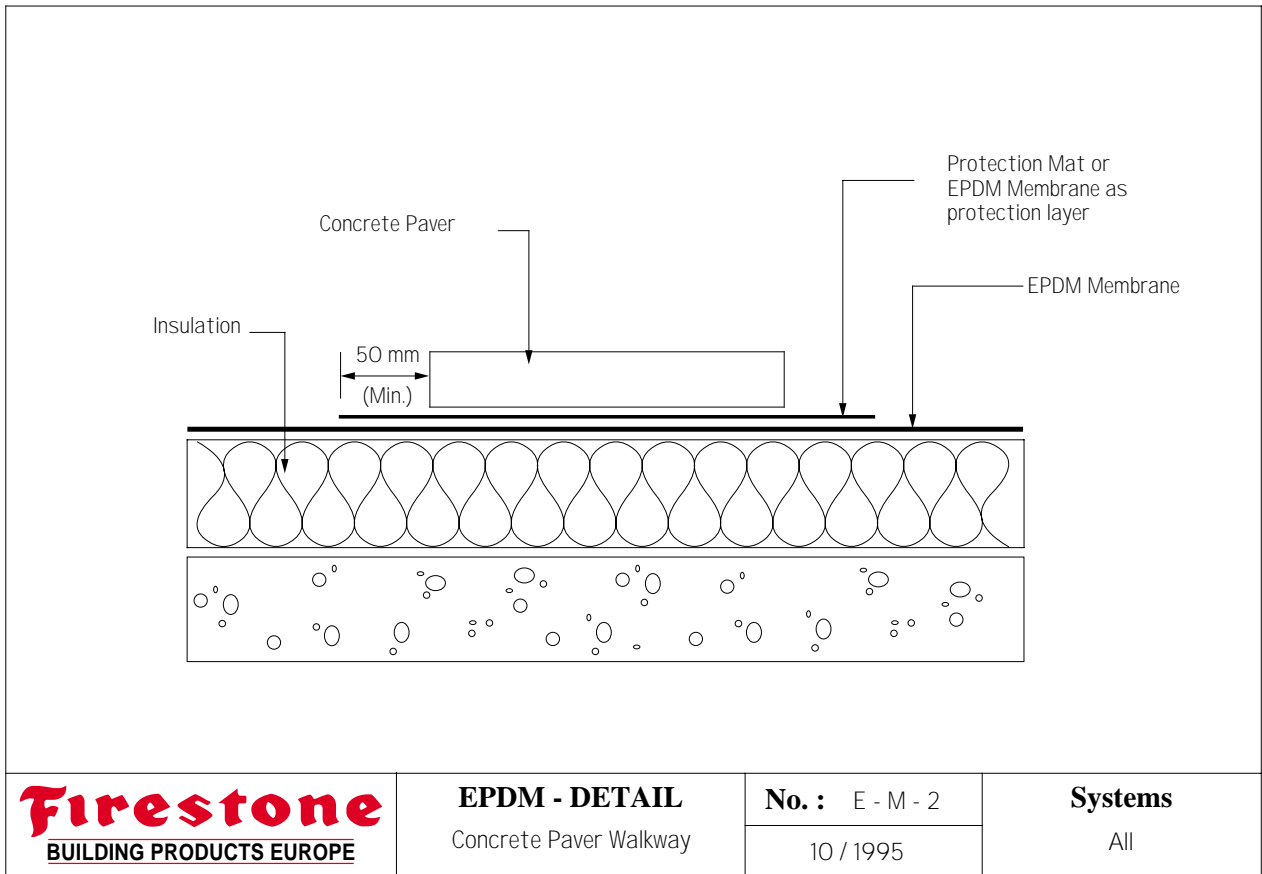
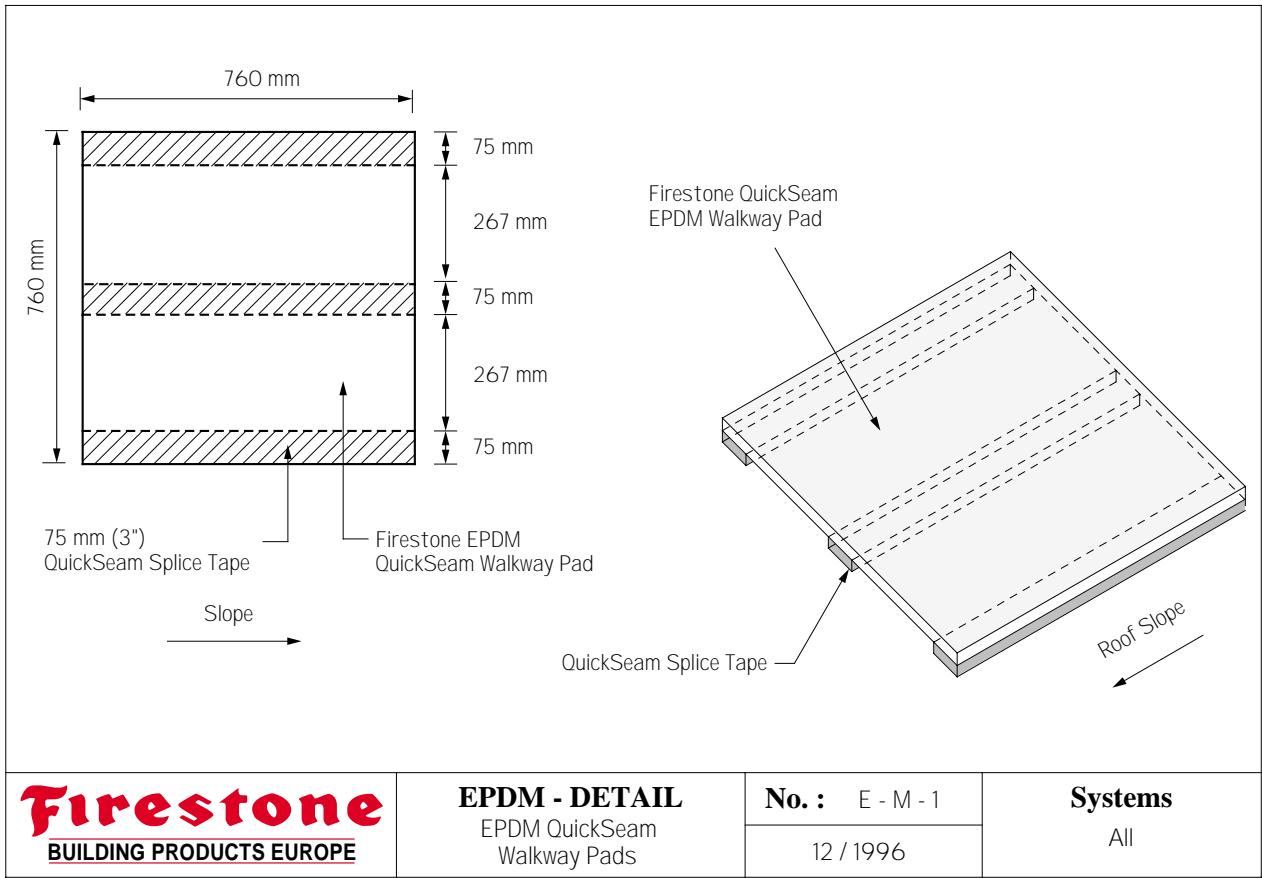
Firestone BUILDING PRODUCTS EUROPE	EPDM - DETAIL Scupper	No. : E - D - 4	Systems All
		10 / 1995	

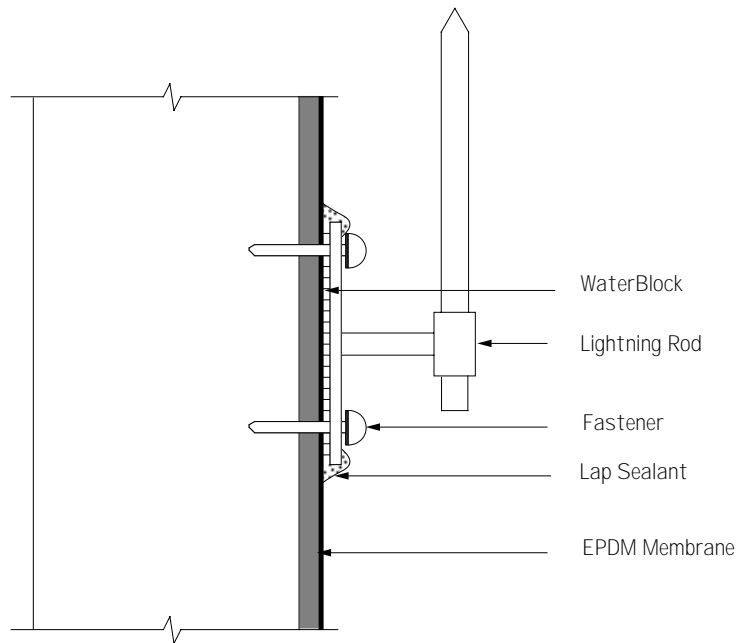
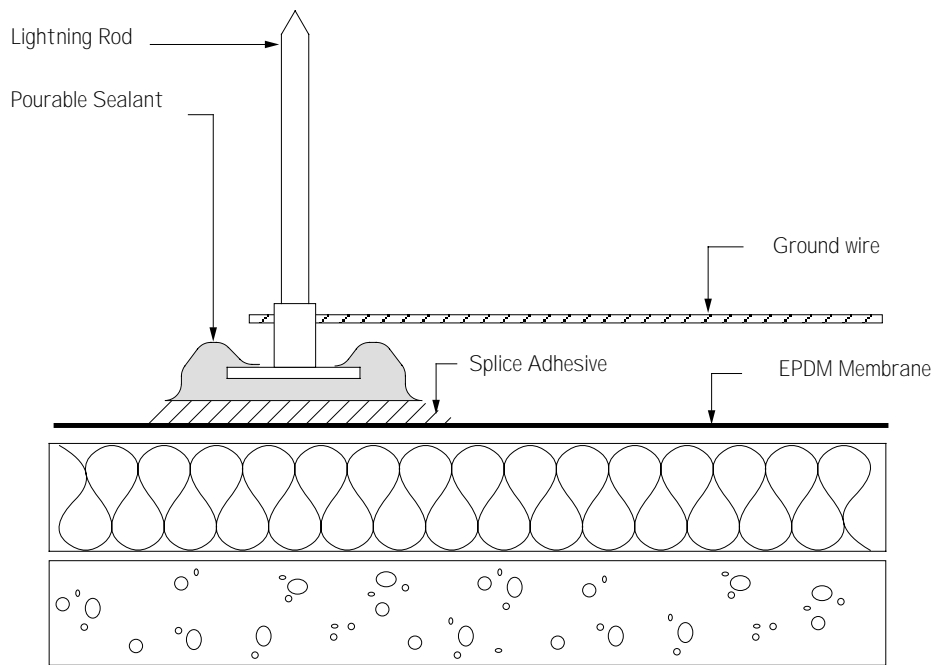


Firestone BUILDING PRODUCTS EUROPE	EPDM - DETAIL Overflow Scupper	No. : E - D - 5	Systems All
		10 / 1995	

5.8 MISCELLANEOUS

DETAIL No.	EPDM - DETAIL	SYSTEMS
E-M-1	EPDM QuickSeam Walkway Pads	All
E-M-2	Concrete Paver Walkway	All
E-M-3	Lightning Rod Attachment	All





Firestone
BUILDING PRODUCTS EUROPE

EPDM - DETAIL
Lightning Rod Attachments

No. : E - M - 3
10 / 1995

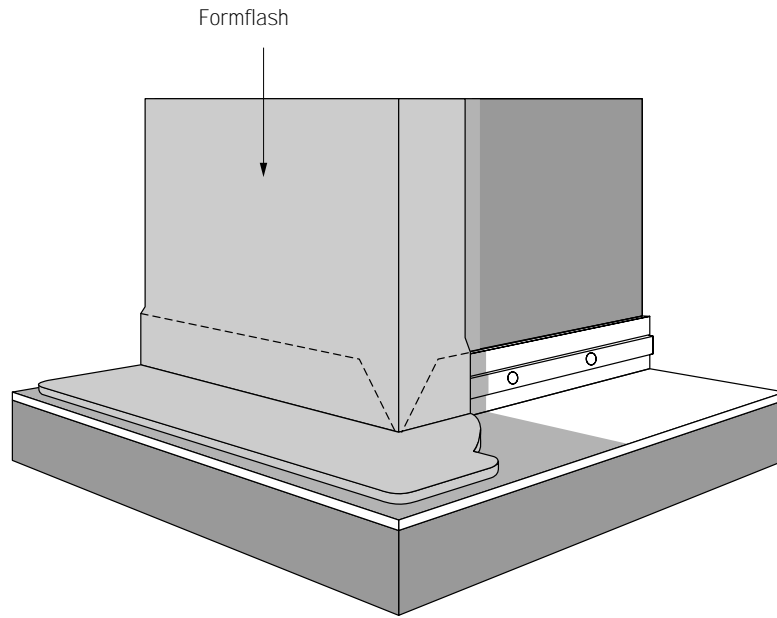
Systems
All



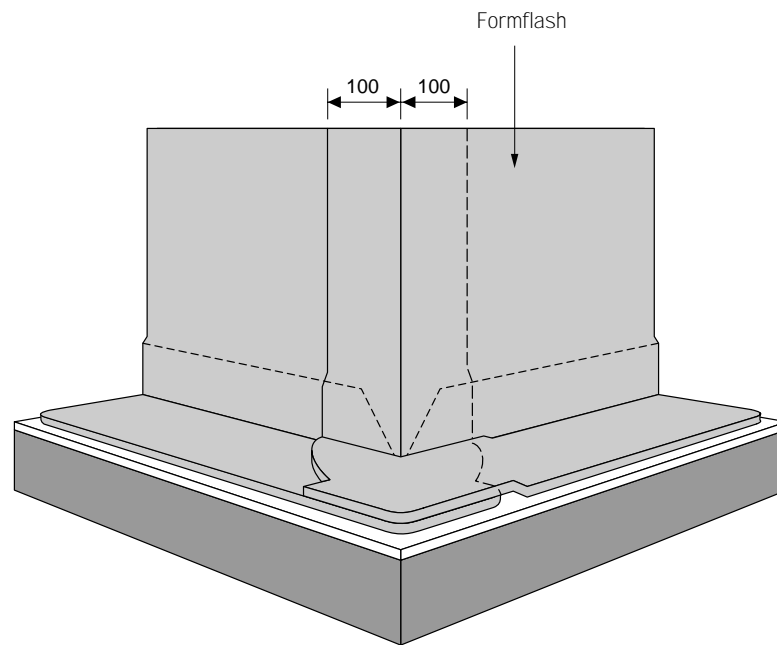
5.9 CORNERS

DETAIL No.	EPDM - DETAIL	SYSTEMS
E-C-1a	Outside Corner Using Formflash	All
E-C-1b	Outside Corner Using QuickSeam Corner Flashing	All
E-C-2	Inside Corner	All

Step 1



Step 2



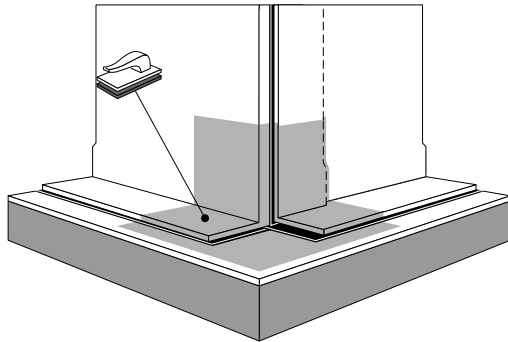
Firestone
BUILDING PRODUCTS EUROPE

EPDM - DETAIL
Outside Corner Using
Formflash

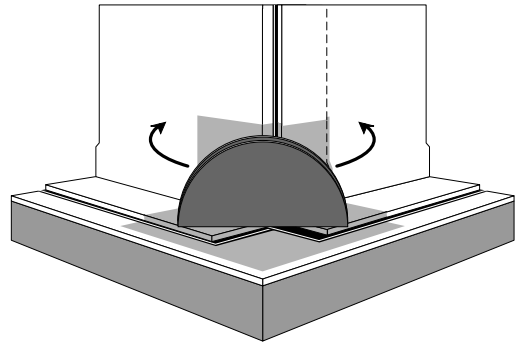
No. : E - C - 1 - A
12 / 1996

Systems
All

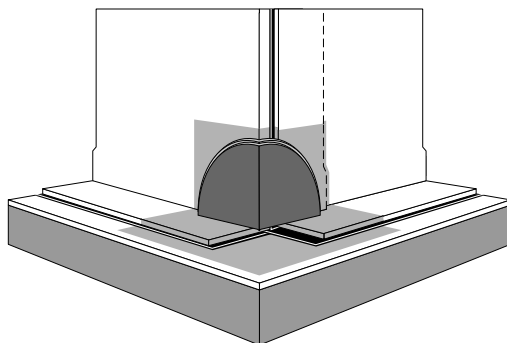
Step 1



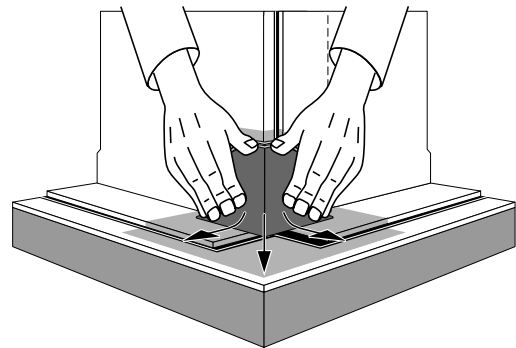
Step 2



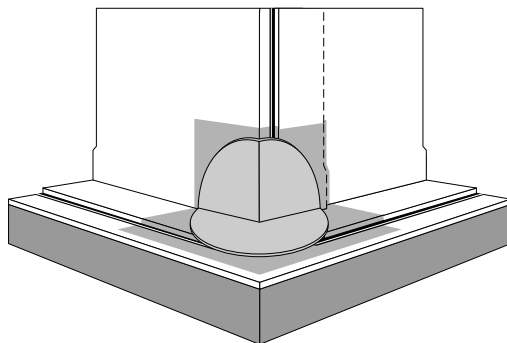
Step 3



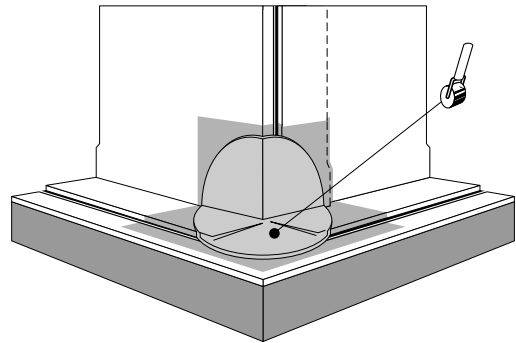
Step 4



Step 5



Step 6



Firestone
BUILDING PRODUCTS EUROPE

EPDM - DETAIL
Outside Corner Using
QuickSeam Corner Flashing

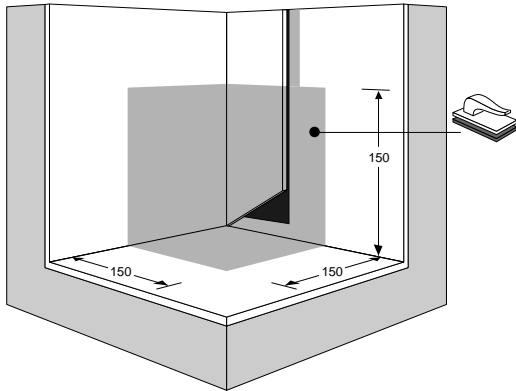
No. : E - C - 1 - B

12 / 1996

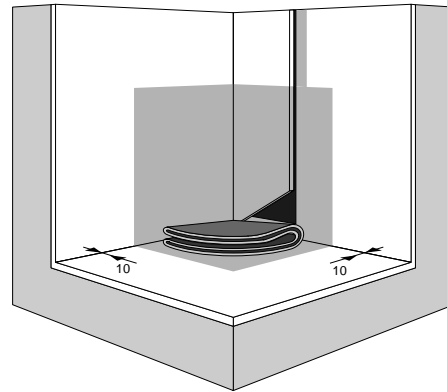
Systems

All

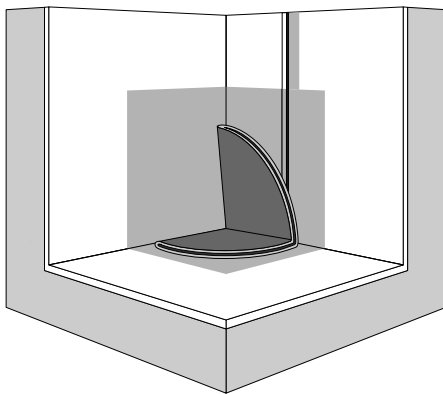
Step 1



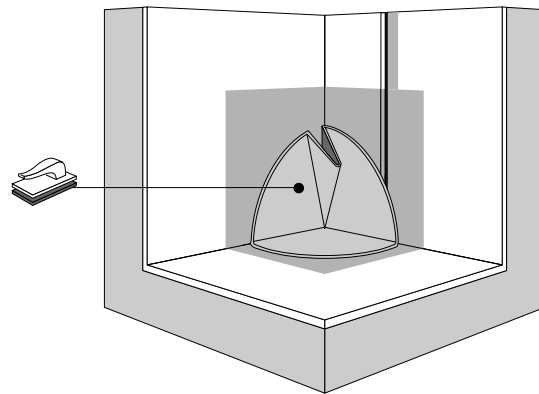
Step 2



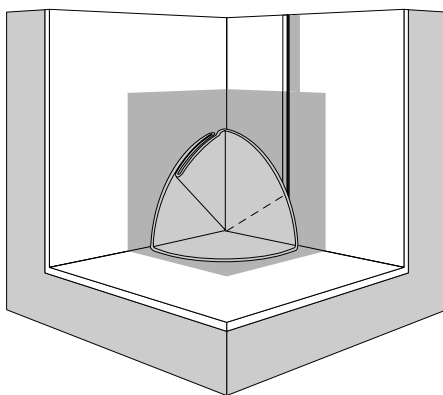
Step 3



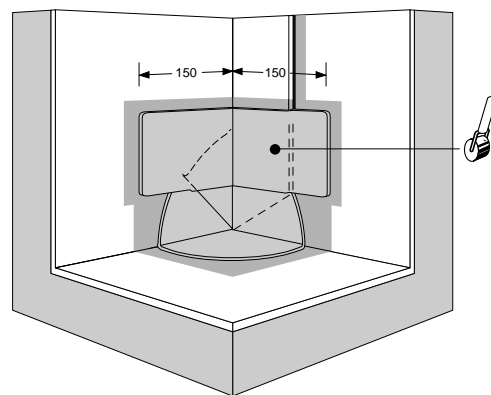
Step 4



Step 5



Step 6



Firestone
BUILDING PRODUCTS EUROPE

EPDM - DETAIL
Inside Corner Using
QuickSeam Corner Flashing

No. : E - C - 2

12 / 1996

Systems

All